



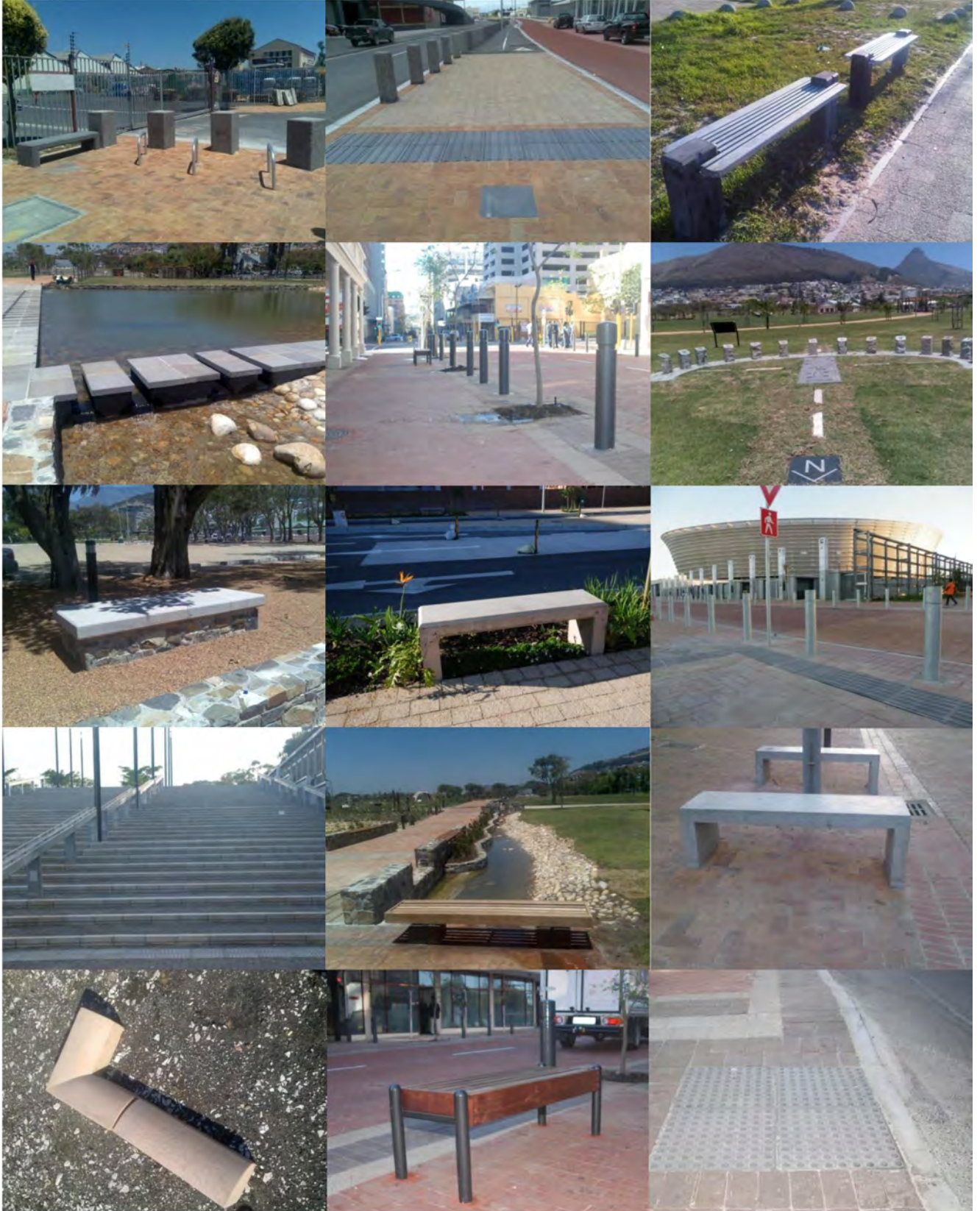
PRODUCT SELECTOR



INDEX

Product Pictures	3
Benches	4 - 30
Bollards	31 - 49
Copings	50 - 54
Kerbs	55 - 63
Water Channels	64 - 67
Steps	68 - 75
Planters and Tree Surrounds	76 - 82
Tactile Paving Block	83 - 85
Bicycle Stands	86 - 88
Customer Specific Products	89 - 97

For sales enquiries email us at sales@ucworks.co.za



Notes: Manufacturing process – Wet Cast Concrete • Variations are a guide but customisation possible • Refer website for latest price list

For sales enquiries email us at sales@ucworks.co.za



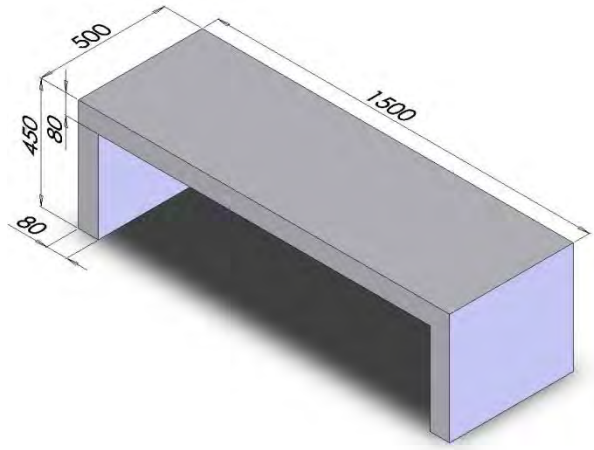
BENCHES



ANKIA BENCH

Wet Cast Concrete

Product description

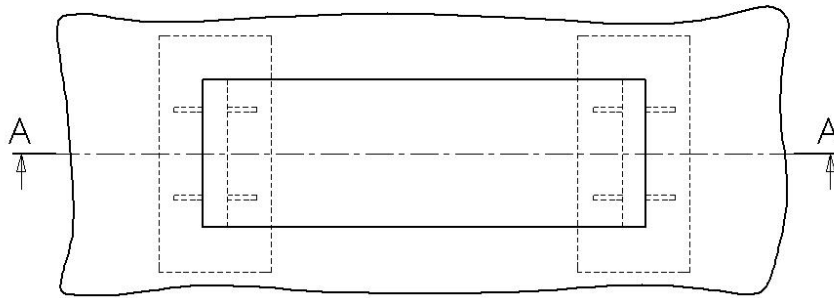


Product Code	Seating	Legs	Length	Width	Height Above NGL	Weight
AB-wcc-01-G	Grey Smooth	Grey Smooth	1500mm	500mm	450mm	400kg
AB-wcc-01-EG	Grey Smooth	Exposed Aggregate, Granite Mix	1500mm	500mm	450mm	400kg

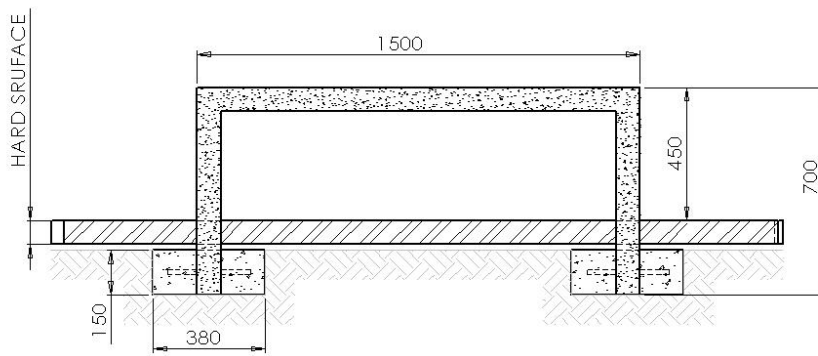
ANKIA BENCH

Wet Cast Concrete

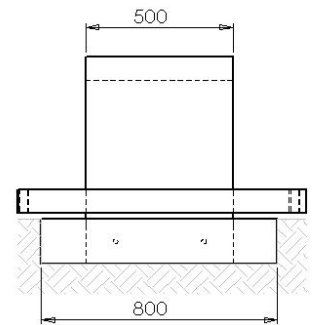
Suggested Installation detail



TOP VIEW



SECTION A-A

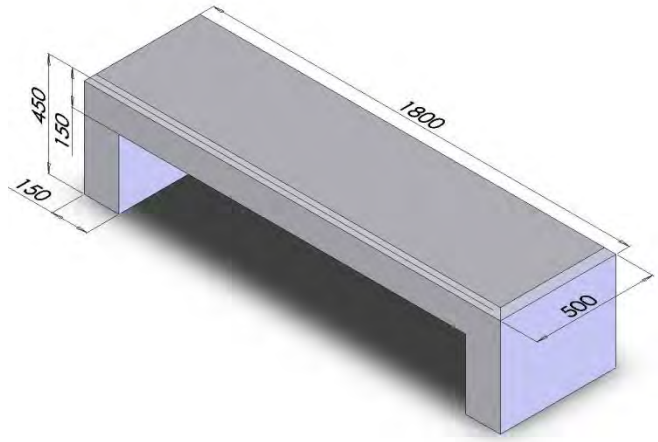


SIDE ELEVATION

BOLOGNA BENCH

Wet Cast Concrete

Product description



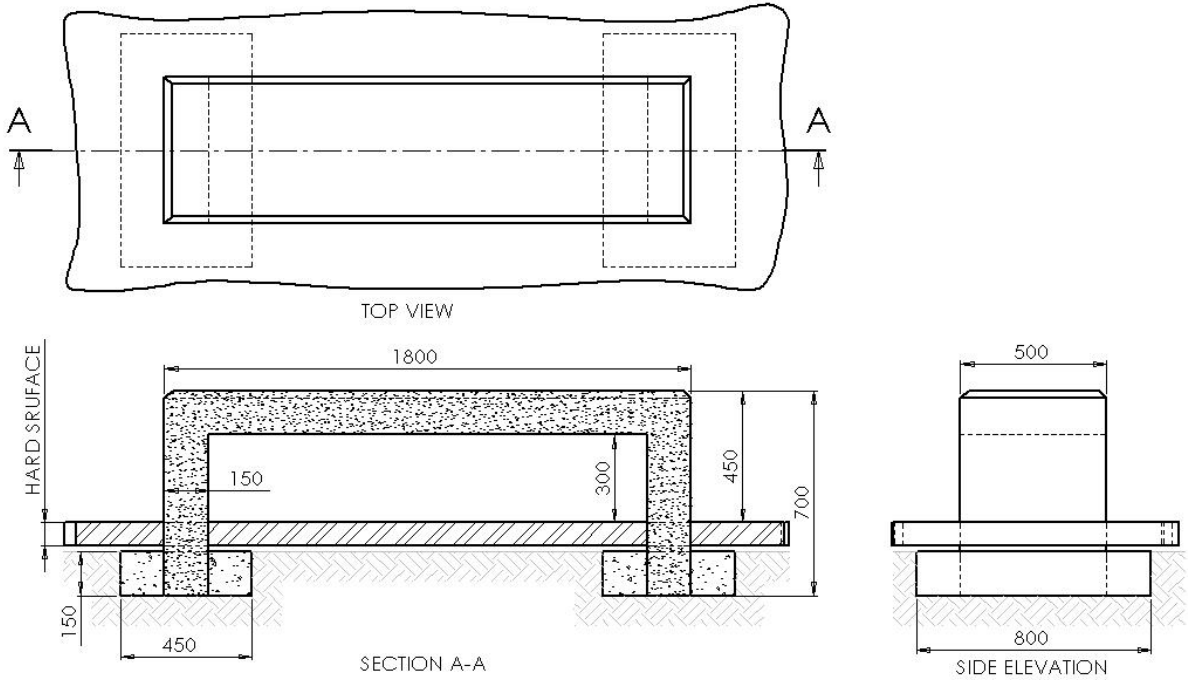
Product Code	Seating	Legs	Length	Width	Height Above NGL	Weight
BB-wcc-01-S	Sandstone Smooth	Sandstone Smooth	1800mm	500mm	450mm	400kg
BB-wcc-01-C	Charcoal Smooth	Charcoal Smooth	1800mm	500mm	450mm	400kg
BB-wcc-01-CEP	Charcoal exposed polish	Charcoal Smooth	1800mm	500mm	450mm	400kg

For sales enquiries email us at sales@ucworks.co.za

BOLOGNA BENCH

Wet Cast Concrete

Suggested Installation detail

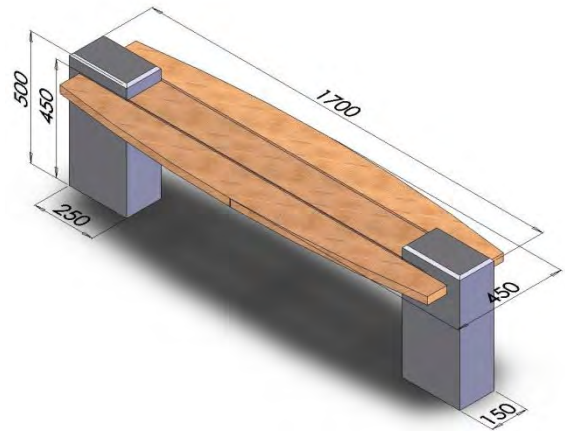


For sales enquiries email us at sales@ucworks.co.za

URBAN RPR BENCH

Timber Seating on Wet Cast Concrete Legs, Designer: URBANscapes Landscape Architects

Product Description

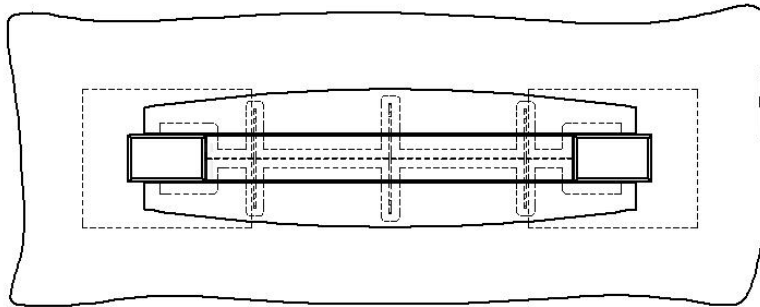


Product Code	Seating	Legs	Length	Width	Height Above NGL	Weight
URPRB-twcc-01-DB	Balau timber	Dark Brown Smooth	1700mm	450mm	450mm	200kg
URPRB-twcc-01-EG	Balau timber	Exposed Aggregate, Granite Mix	1700mm	450mm	450mm	200kg
URPRB-twcc-01-DBEGC	Balau timber	Dark Brown Exposed, Polish	1700mm	450mm	450mm	200kg

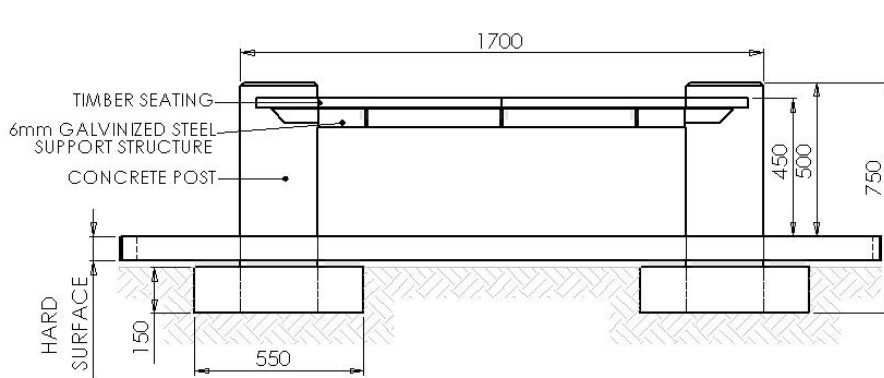
URBAN RPR BENCH

Timber Seating on Wet Cast Concrete Legs, Designer: URBANscapes Landscape Architects

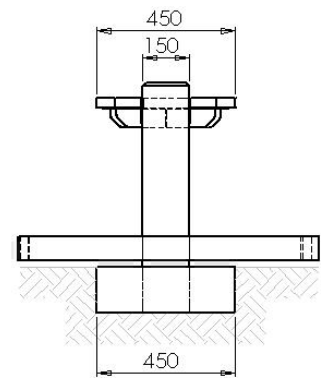
Suggested Installation Detail



TOP ELEVATION



FRONT ELEVATION

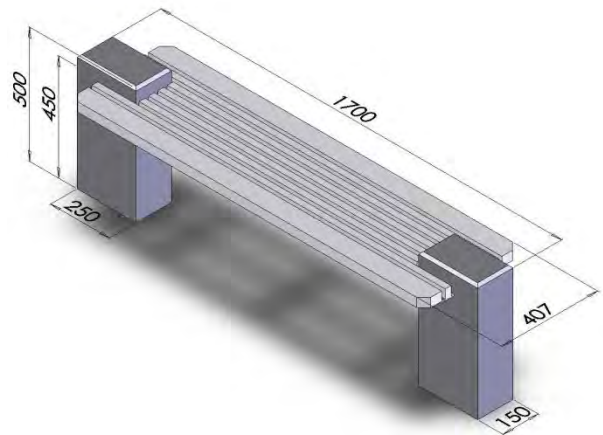


SIDE ELEVATION

URBAN “BATH” BENCH

Timber Seating on Wet Cast Concrete Legs, Designer: URBANscapes Landscape Architects

Product Description

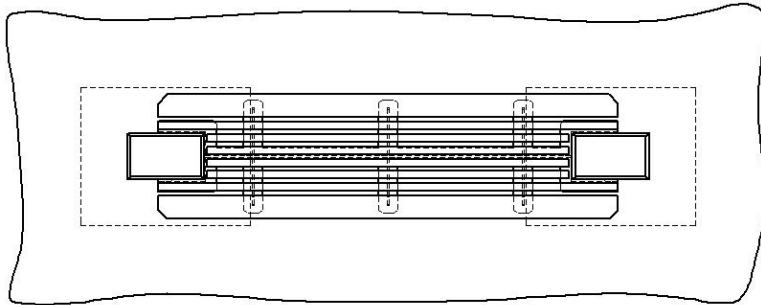


Product Code	Seating	Legs	Length	Width	Height Above NGL	Weight
UBB-swcc-01-DB	Galvanized steel	Dark Brown Smooth	1700mm	407mm	450mm	200kg
UBB-swcc-01-EG	Galvanized steel	Exposed Aggregate, Granite Mix	1700mm	407mm	450mm	200kg
UBB-swcc-01-DBEGC	Galvanized steel	Dark Brown Exposed, Polish	1700mm	407mm	450mm	200kg

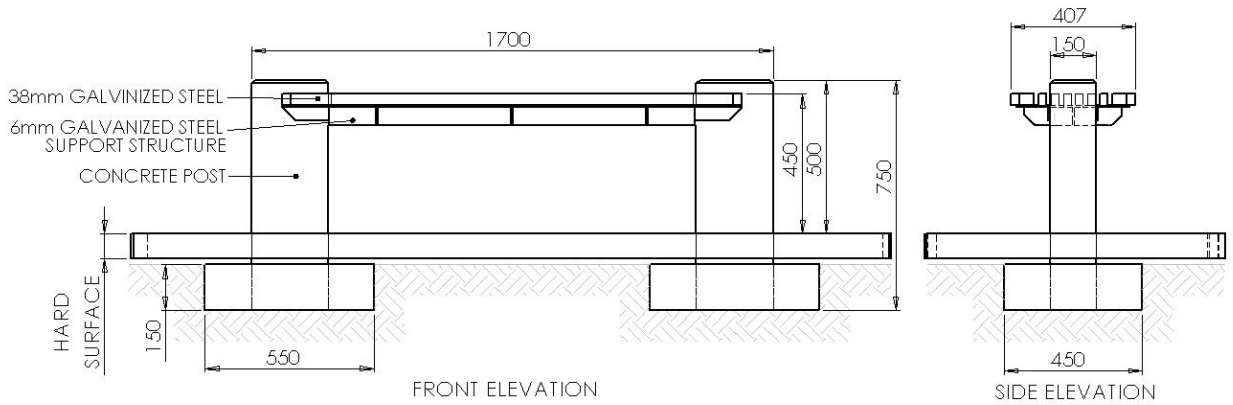
URBAN “BATH” BENCH

Timber Seating on Wet Cast Concrete Legs, Designer: URBANscapes Landscape Architects

Suggested Installation Detail



TOP ELEVATION



FRONT ELEVATION

SIDE ELEVATION

For sales enquiries email us at sales@ucworks.co.za

ST GEORGE'S BENCH

Timber Seating on Steel Legs

Product Description

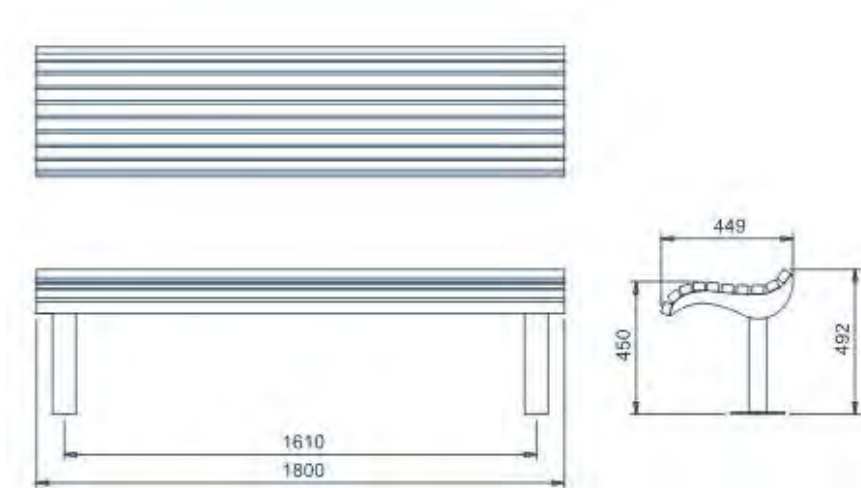


Product Code	Seating	Legs	Length	Width	Height Above NGL	Weight
SGB-ts-01-BGS	Balau Timber	Galvanized steel	1500mm	500mm	450mm	200kg
SGB-ts-01-BSS	Balau Timber	Stainless steel	1500mm	500mm	450mm	200kg
SGB-ts-01-BPC-color	Balau Timber)	Powder coated (please state color with code)	1500mm	500mm	450mm	200kg

FLOATING 90S CONCEPT BENCH

Steel / Timber Seating on Steel Legs

Product Description



Product Code	Seating	Legs	Length	Width	Height Above NGL	Weight
F90SB-ss-01-GS	Galvanized steel	Galvanized steel	1500mm	500mm	450mm	200kg
F90SB-ss-01-SS	Stainless steel	Stainless steel	1500mm	500mm	450mm	200kg
F90SB-ss-01-PC-color	Powder coated (please state color with code)	Powder coated (please state color with code)	1500mm	500mm	450mm	200kg
F90SB-ts-01-BGS	Balau Timber	Galvanized steel	1500mm	500mm	450mm	200kg
F90SB-ts-01-BSS	Balau Timber	Stainless steel	1500mm	500mm	450mm	200kg
F90SB-ts-01-BPC-color	Balau Timber)	Powder coated (please state color with code)	1500mm	500mm	450mm	200kg

For sales enquiries email us at sales@ucworks.co.za

IMPERIAL CLASSIC CONCEPT BENCH

Wet Cast Concrete

Product Description



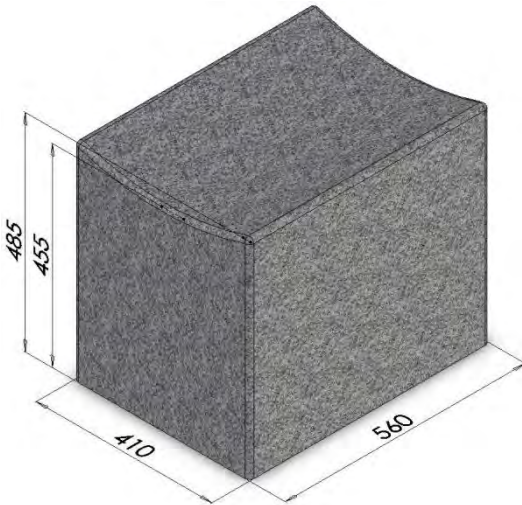
Product Code	Seating	Legs	Length	Width	Height Above NGL	Weight
ICB-wcc-01-S	Sandstone Smooth	Sandstone Smooth	1800mm	500mm	450mm	400kg
ICB-wcc-01-C	Charcoal Smooth	Charcoal Smooth	1800mm	500mm	450mm	400kg
ICB-wcc-01-CEP	Charcoal exposed polish	Charcoal exposed polish	1800mm	500mm	450mm	400kg

For sales enquiries email us at sales@ucworks.co.za

The Cube BENCH

Wet Cast Concrete

Suggested Installation Detail



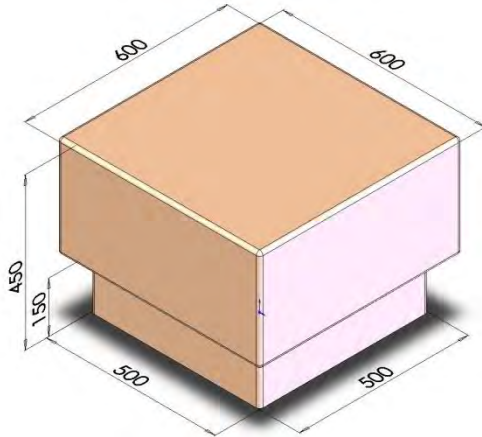
Product Code	Seating	Legs	Length	Width	Height Above NGL	Weight
TCB-wcc-01-S	Charcoal exposed polish	-	410	5040mm	455mm	200kg

For sales enquiries email us at sales@ucworks.co.za

ALPINE SQUARE BENCH

Wet Cast Concrete

Product Description



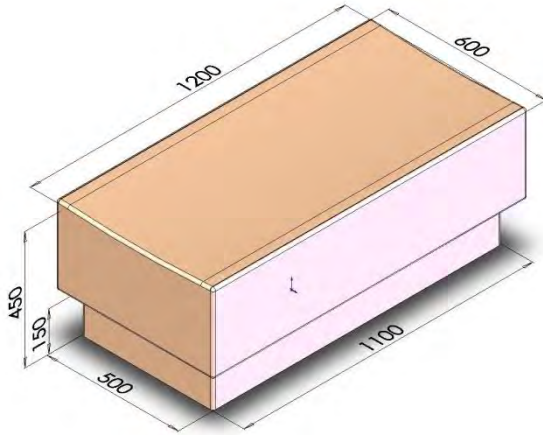
Product Code	Seating	-	Length	Width	Height Above NGL	Weight
ASB-wcc-01-S	Sandstone Smooth	-	600mm	600mm	450mm	350kg
ASB-wcc-01-C	Charcoal Smooth	-	600mm	600mm	450mm	350kg
ASB-wcc-01-DB	Dark brown Smooth	-	600mm	600mm	450mm	350kg

For sales enquiries email us at sales@ucworks.co.za

ALPINE RECTANGLE BENCH

Wet Cast Concrete

Product Description



Product Code	Seating	-	Length	Width	Height Above NGL	Weight
ARB-wcc-01-S	Sandstone Smooth	-	1200mm	600mm	450mm	700kg
ARB-wcc-01-C	Charcoal Smooth	-	1200mm	600mm	450mm	700kg
ARB-wcc-01-DB	Dark brown Smooth	-	1200mm	600mm	450mm	700kg

For sales enquiries email us at sales@ucworks.co.za

CIVIC SINGLE SEATER BENCH

Wet Cast Concrete

Product Description

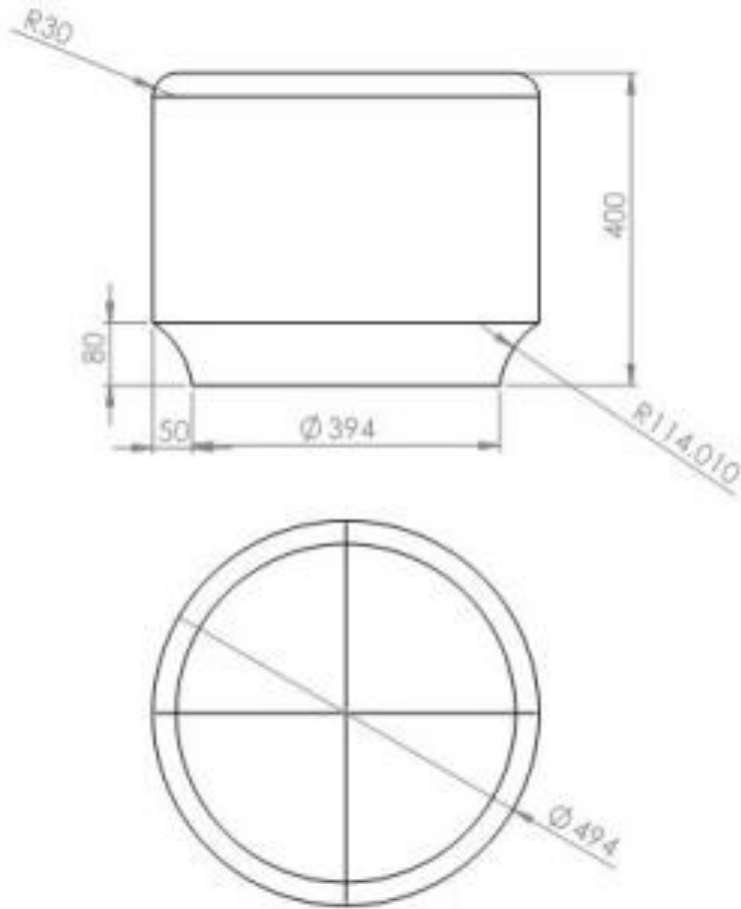


Product Code	Seating	-	Diameter	-	Height Above NGL	Weight
CSSB-wcc-01-S	Sandstone Smooth	-	500mm	-	450mm	400kg
CSSB-wcc-01-C	Charcoal Smooth	-	500mm	-	450mm	400kg
CSSB-wcc-01-DB	Dark brown Smooth	-	500mm	-	450mm	400kg

CIVIC SINGLE SEATER BENCH

Wet Cast Concrete

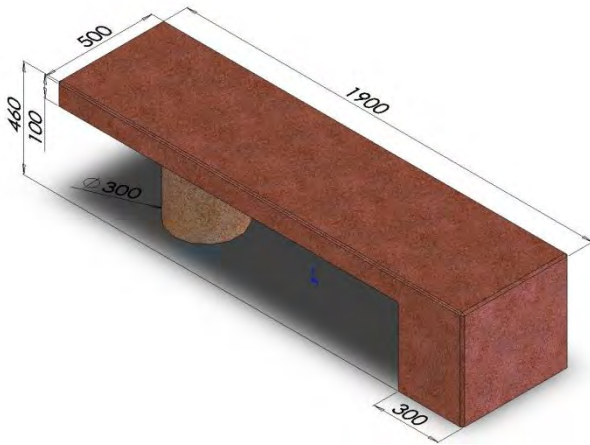
Suggested Installation Detail



EUROPA BENCH

Wet Cast Concrete

Product Description

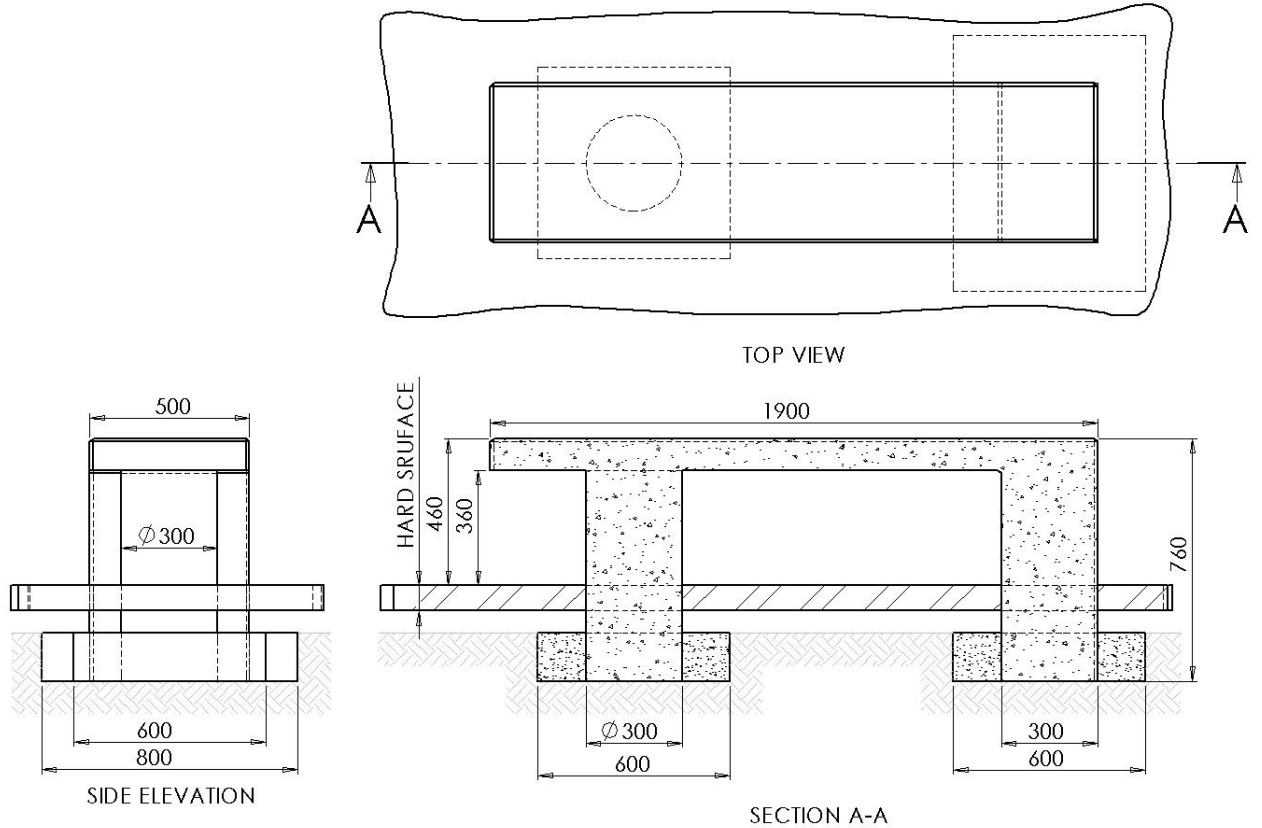


Product Code	Seating	Leg	Length	Width	Height Above NGL	Weight
EB-wcc-01-S	Sandstone Smooth	Sandstone Smooth	1900mm	500mm	460mm	400kg
EB-wcc-01-C	Charcoal Smooth	Charcoal Smooth				
EB-wcc-01-DB	Dark brown Smooth	Dark brown Smooth				

EUROPA BENCH

Wet Cast Concrete

Suggested Installation Detail

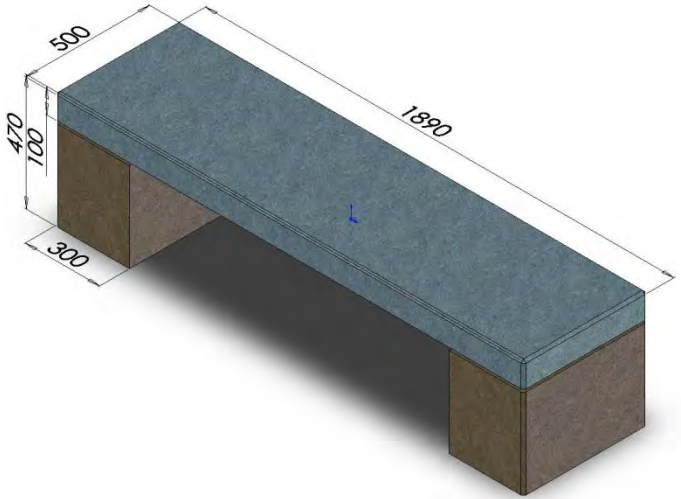


For sales enquiries email us at sales@ucworks.co.za

RECTANGLE 300 BENCH

Wet Cast Concrete

Product Description

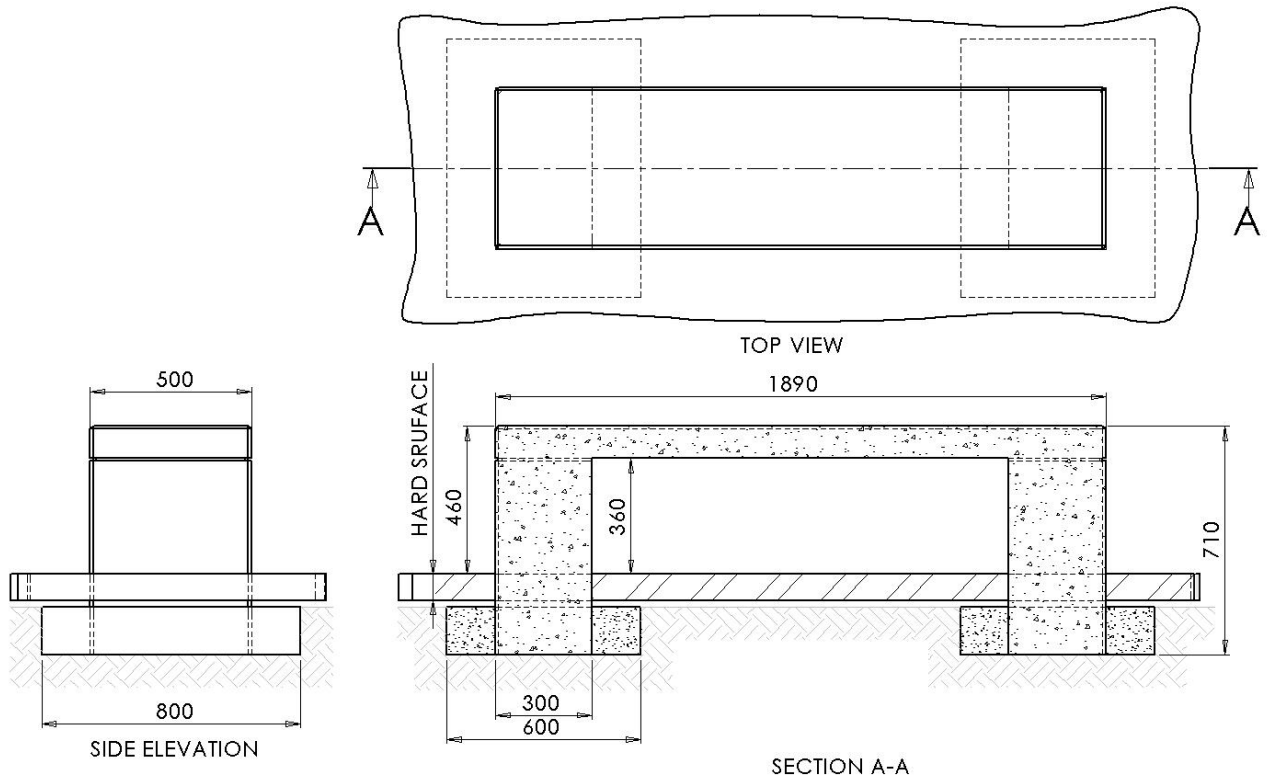


Product Code	Seating	Leg	Length	Width	Height Above NGL	Weight
R300B-wcc-01-S	Sandstone Smooth	Sandstone Smooth	1890mm	500mm	470mm	400kg
R300B-wcc-01-C	Charcoal Smooth	Charcoal Smooth				
R300B-wcc-01-DB	Dark brown Smooth	Dark brown Smooth				

RECTANGLE 300 BENCH

Wet Cast Concrete

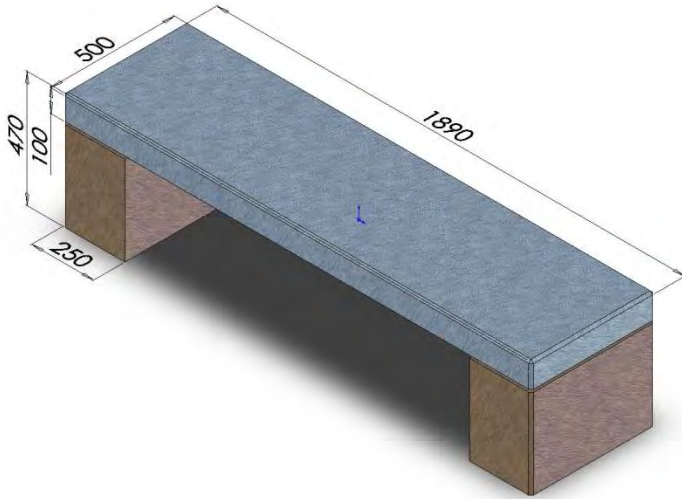
Suggested Installation Detail



RECTANGLE 250 BENCH

Wet Cast Concrete

Product Description

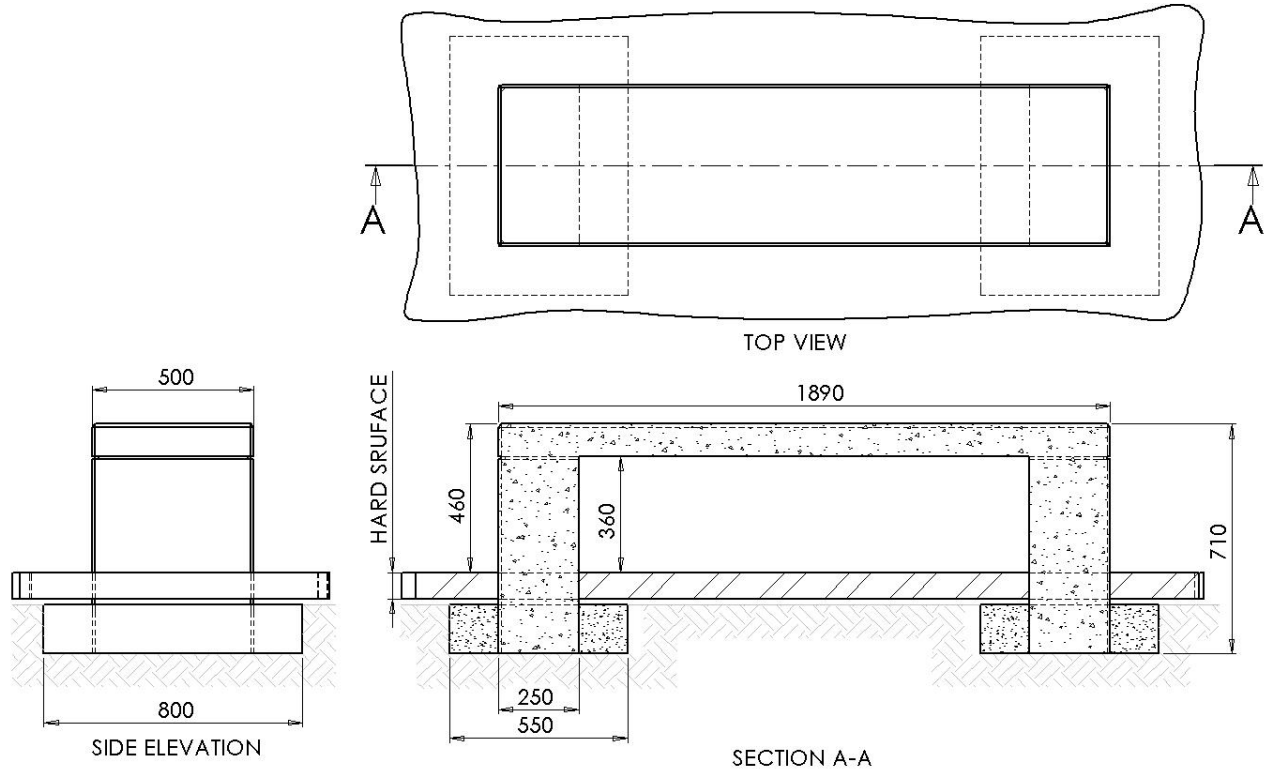


Product Code	Seating	Leg	Length	Width	Height Above NGL	Weight
R300B-wcc-01-S	Sandstone Smooth	Sandstone Smooth	1890mm	500mm	470mm	400kg
R300B-wcc-01-C	Charcoal Smooth	Charcoal Smooth				
R300B-wcc-01-DB	Dark brown Smooth	Dark brown Smooth				

RECTANGLE 250 BENCH

Wet Cast Concrete

Suggested Installation Detail

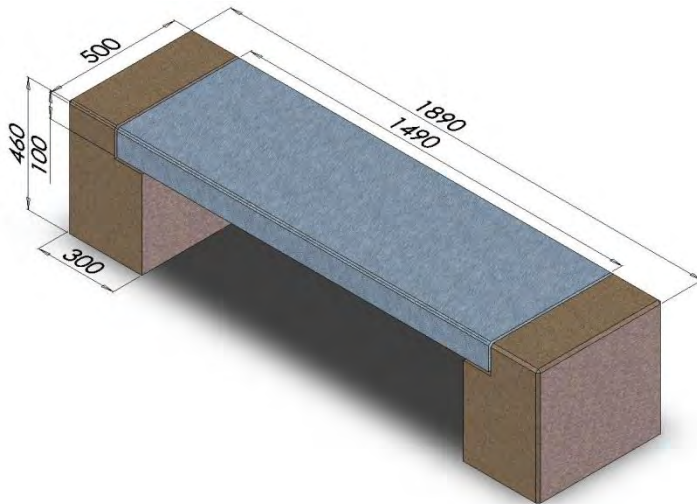


For sales enquiries email us at sales@ucworks.co.za

RECTANGLE INLAY 300 BENCH

Wet Cast Concrete

Product Description



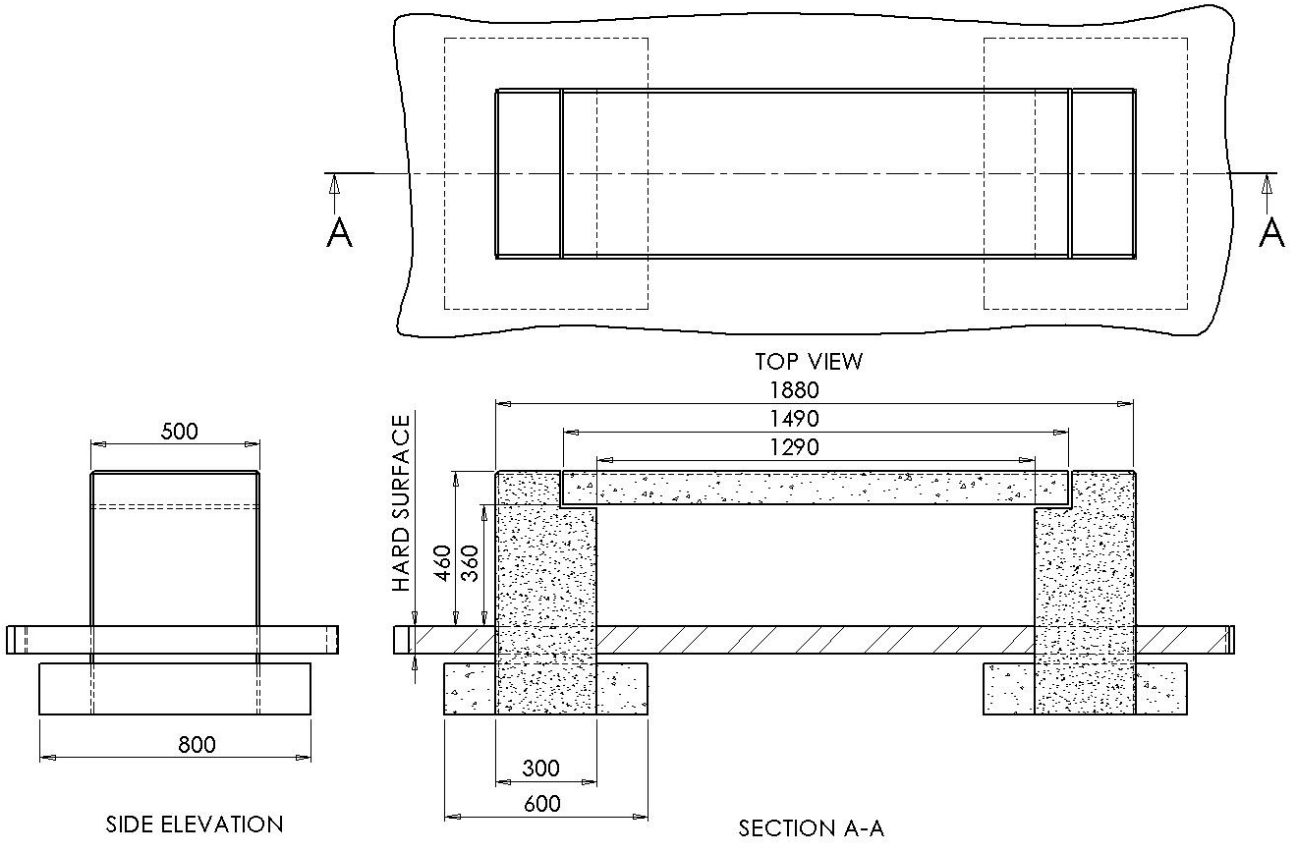
Product Code	Seating	Leg	Length	Width	Height Above NGL	Weight
RI300B-wcc-01-S	Sandstone Smooth	Sandstone Smooth	1890mm	500mm	470mm	400kg
RI300B-wcc-01-C	Charcoal Smooth	Charcoal Smooth	1890mm	500mm	470mm	400kg
RI300B-wcc-01-DB	Dark brown Smooth	Dark brown Smooth	1890mm	500mm	470mm	400kg

For sales enquiries email us at sales@ucworks.co.za

RECTANGLE INLAY 300 BENCH

Wet Cast Concrete

Suggested Installation Detail

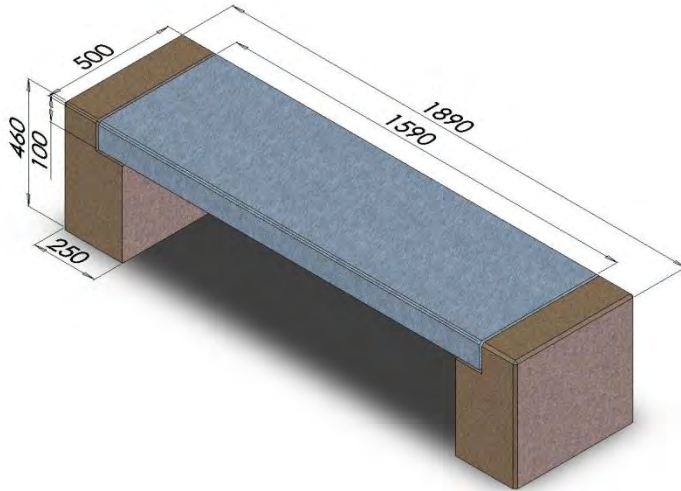


For sales enquiries email us at sales@ucworks.co.za

RECTANGLE INLAY 250 BENCH

Wet Cast Concrete

Product Description

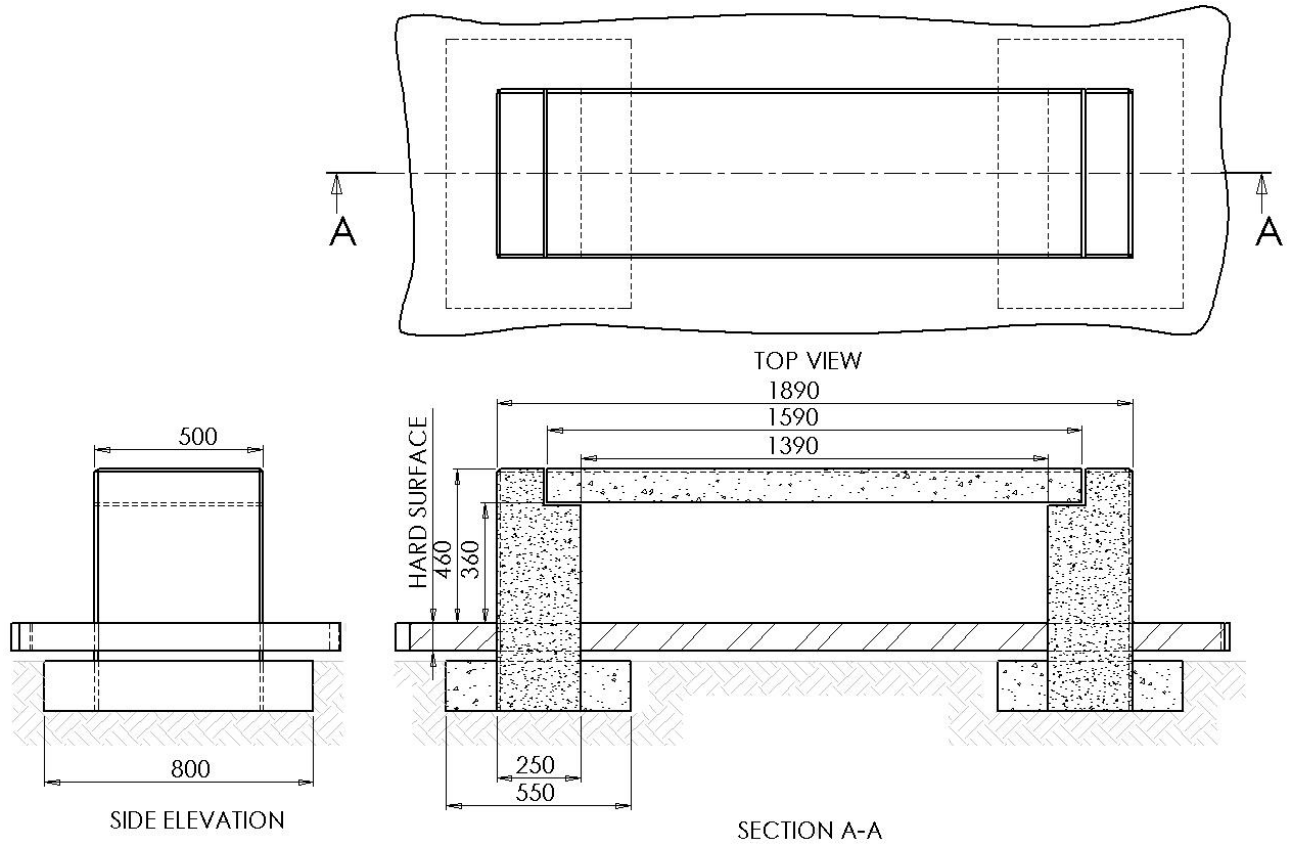


Product Code	Seating	Leg	Length	Width	Height Above NGL	Weight
RI250B-wcc-01-S	Sandstone Smooth	Sandstone Smooth	1890mm	500mm	470mm	400kg
RI250B-wcc-01-C	Charcoal Smooth	Charcoal Smooth				
RI250B-wcc-01-DB	Dark brown Smooth	Dark brown Smooth				

RECTANGLE INLAY 250 BENCH

Wet Cast Concrete

Suggested Installation Detail



For sales enquiries email us at sales@ucworks.co.za



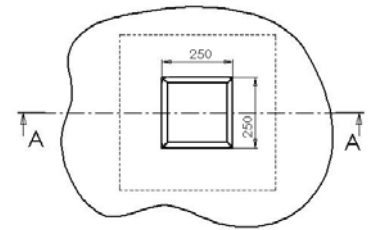
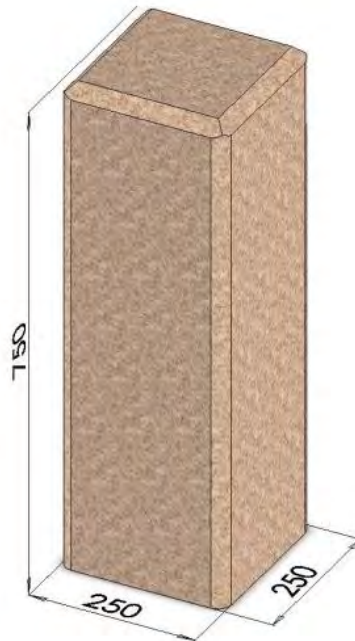
BOLLARDS



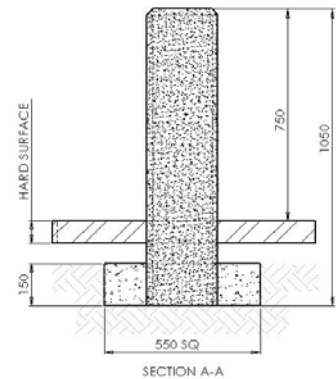
MONOLITH 250SQ BOLLARD

Wet Cast Concrete

Product Description



TOP ELEVATION



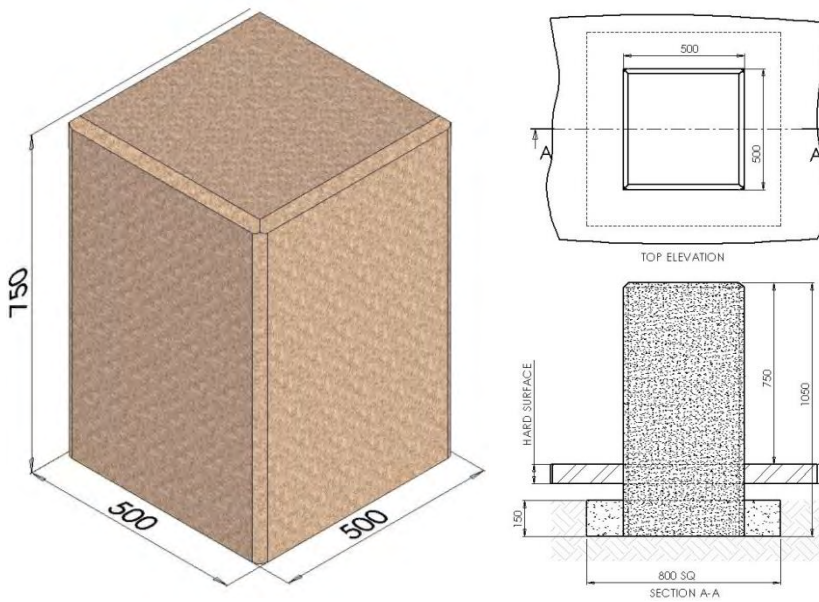
SECTION A-A

Product Code	Finish	-	Length	Width	Height Above NGL	Weight
M250Bo-wcc-01-S	Sandstone Smooth	-	250mm	250mm	750mm	350kg
M250Bo-wcc-01-C	Charcoal Smooth	-	250mm	250mm	750mm	350kg
M250Bo-wcc-01-DB	Dark brown Smooth	-	250mm	250mm	750mm	350kg

MONOLITH 500SQ BOLLARD

Wet Cast Concrete

Product Description

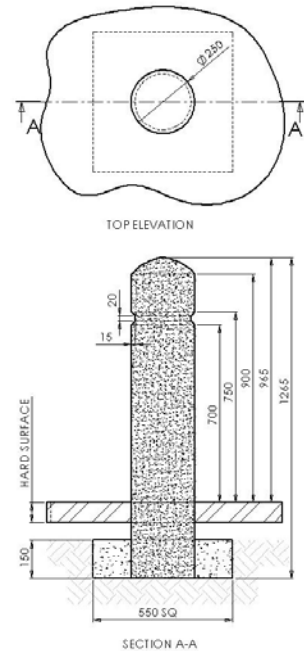
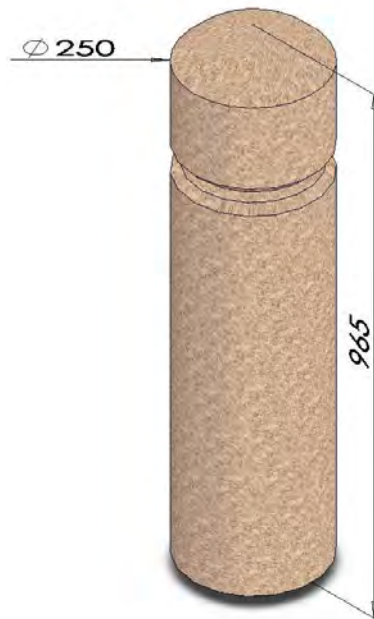


Product Code	Finish	-	Length	Width	Height Above NGL	Weight
M500Bo-wcc-01-S	Sandstone Smooth	-	500mm	500mm	750mm	350kg
M500Bo-wcc-01-C	Charcoal Smooth	-	500mm	500mm	750mm	350kg
M500Bo-wcc-01-DB	Dark brown Smooth	-	500mm	500mm	750mm	350kg

CYLINDER DOME CONCRETE 250 BOLLARD

Wet Cast Concrete

Product Description

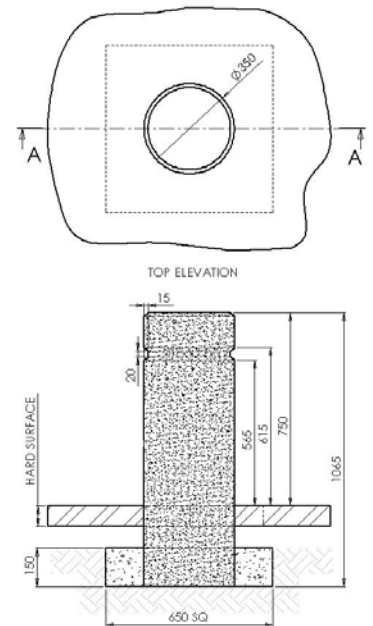
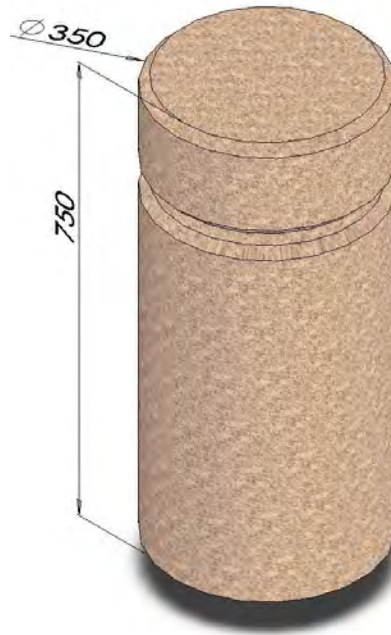


Product Code	Finish	-	diameter	Width	Height Above NGL	Weight
CDC250Bo-wcc-01-SE	Sandstone Exposed	-	250mm		965mm	250kg
CDC250Bo-wcc-01-CE	Charcoal Exposed	-	250mm		965mm	250kg
CDC250Bo-wcc-01-GE	Grey Exposed	-	250mm		965mm	250kg

CYLINDER FLAT CONCRETE 350 BOLLARD

Wet Cast Concrete

Product Description

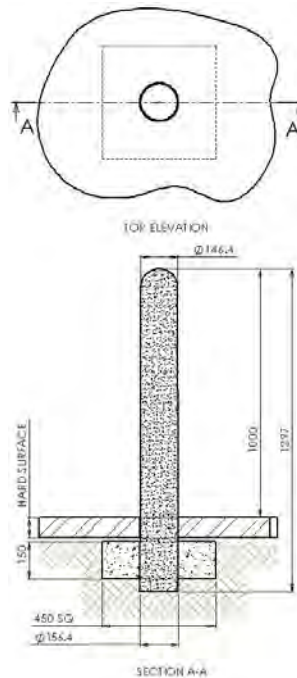
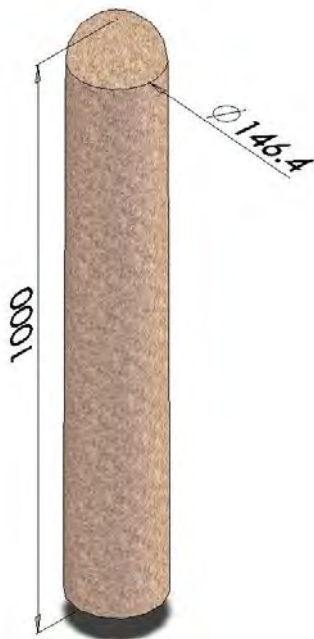


Product Code	Finish	-	diameter	Width	Height Above NGL	Weight
CFC350Bo-wcc-01-SE	Sandstone Exposed	-	350mm		750mm	350kg
CFC350Bo-wcc-01-CE	Charcoal Exposed	-	350mm		750mm	350kg
CFC350Bo-wcc-01-GE	Grey Exposed	-	350mm		750mm	350kg

CYLINDER DOME TAPARED CONCRETE 156 BOLLARD

Wet Cast Concrete

Product Description

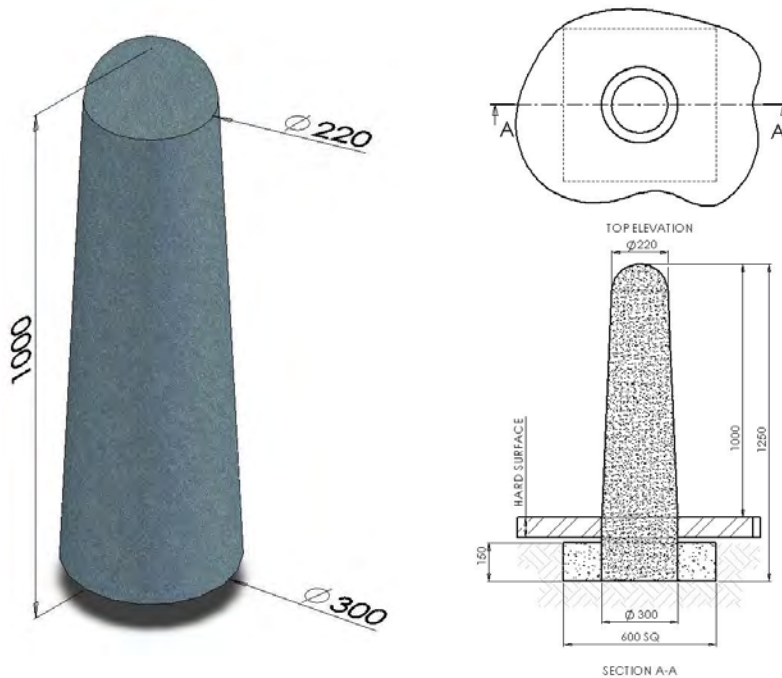


Product Code	Finish	-	Tapered Diameter	Width	Height Above NGL	Weight
CDTC156Bo-wcc-01-SE	Sandstone Exposed	-	156-146mm		1000mm	150kg
CDTC156Bo-wcc-01-CE	Charcoal Exposed	-	156-146mm		1000mm	150kg
CDCT156Bo-wcc-01-GE	Grey Exposed	-	156-146mm		1000mm	150kg

CYLINDER DOME TAPARED CONCRETE 300 BOLLARD

Wet Cast Concrete

Product Description

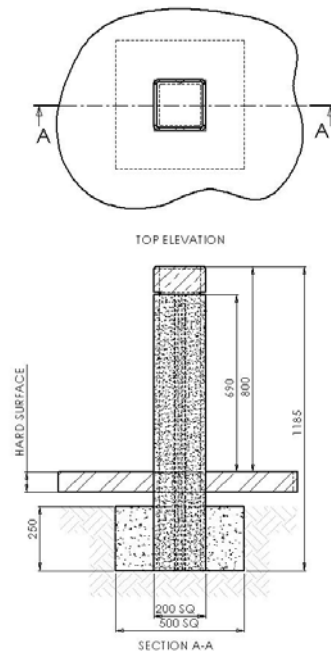
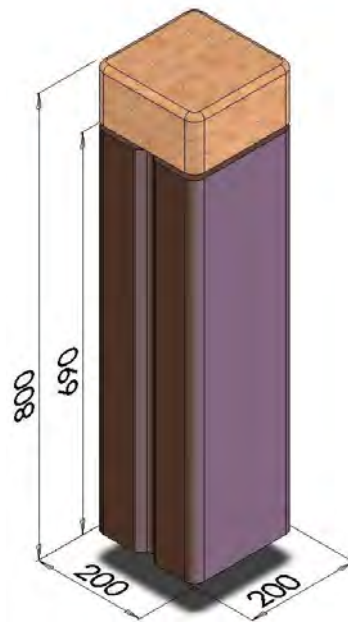


Product Code	Finish	-	Tapered Diameter	Width	Height Above NGL	Weight
CDTC300Bo-wcc-01-SE	Sandstone Exposed	-	300-220mm		1000mm	150kg
CDTC300Bo-wcc-01-CE	Charcoal Exposed	-	300-220mm		1000mm	150kg
CDCT300Bo-wcc-01-GE	Grey Exposed	-	300-220mm		1000mm	150kg

URBAN RPR BOLLARD

Wet Cast Concrete with timber coping

Product Description

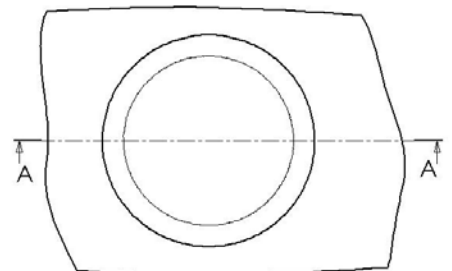
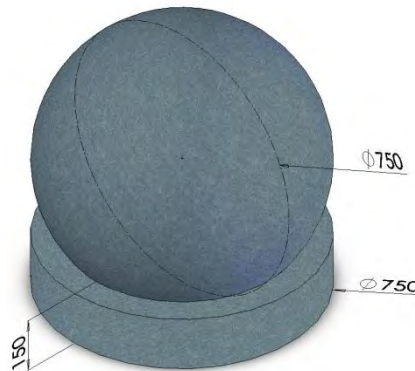


Product Code	Finish	-	Length	Width	Height Above NGL	Weight
URTRBo-wcc-01-S	Sandstone Smooth	-	200mm	200mm	800mm	150kg
URTRBo-wcc-01-C	Charcoal Smooth	-	200mm	200mm	800mm	150kg
URTRBo-wcc-01-G	Grey Smooth	-	200mm	200mm	800mm	150kg

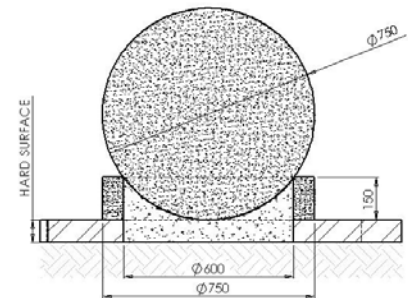
SPHERICAL CONCRETE BOLLARD WITH MOUNTING COLLAR AND PLAGUE INDENTATION

Wet Cast Concrete

Product Description



TOP ELEVATION



SECTION A-A

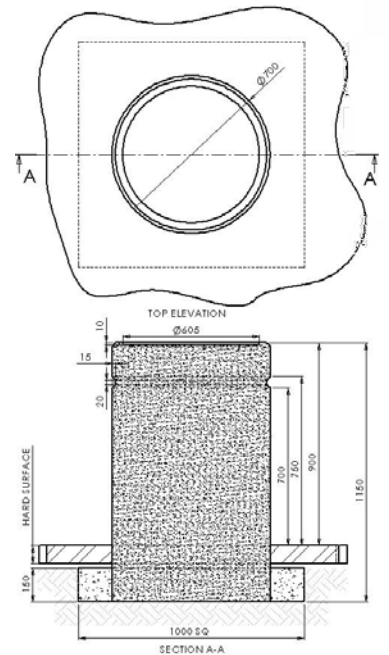
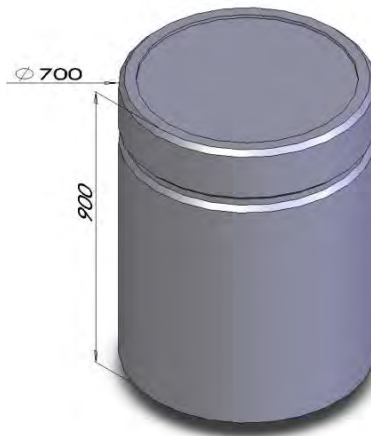
Product Code	Finish	-	Diameter	Height Above NGL	Weight
SCBo-wcc-01-SE-	Sandstone Exposed	-	750mm	750mm	
SCBo-wcc-01-CE-	Charcoal Exposed	-	750mm	750mm	
SCBo-wcc-01-GE-	Grey Exposed	-	750mm	750mm	

For sales enquiries email us at sales@ucworks.co.za

CYLINDER FLAT CONCRETE 700 BOLLARD WITH PLAGUE INDENTATION

Wet Cast Concrete

Product Description

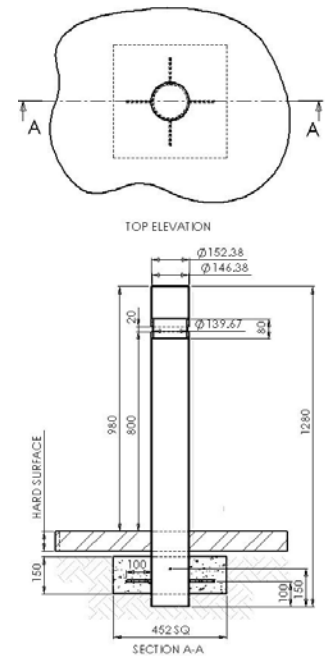
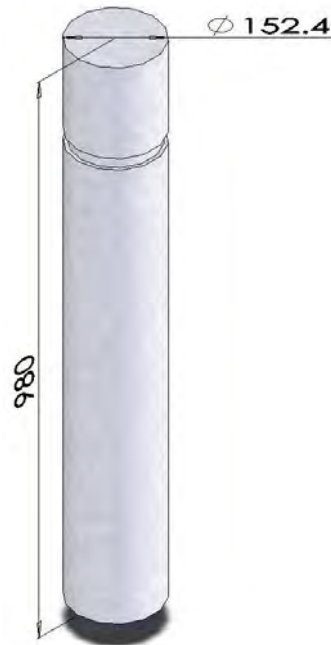


Product Code	Finish	-	diameter	Width	Height Above NGL	Weight
CFC700Bo-wcc-01-SE	Sandstone Exposed	-	700mm		900mm	450kg
CFC700Bo-wcc-01-CE	Charcoal Exposed	-	700mm		900mm	450kg
CFC700Bo-wcc-01-GE	Grey Exposed	-	700mm		900mm	450kg

COLDSTEEL BOLLARD

Steel

Product Description

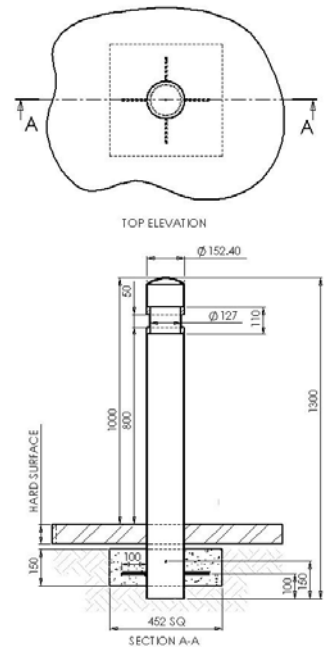
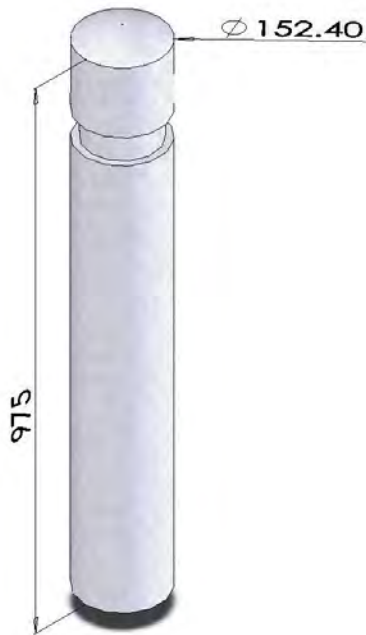


Product Code	Finish	-	Diameter	Height Above NGL	Weight
CSBo-s-01-GS	Galvanized steel	-	152.4mm	980mm	50kg
CSBo-s-01-SS	Stainless steel	-	152.4mm	980mm	50kg
CSBo-s-01-PC-color	Powder coated (please state color with code)	-	152.4mm	980mm	50kg

WATERKANT STEEL BOLLARD

Steel

Product Description



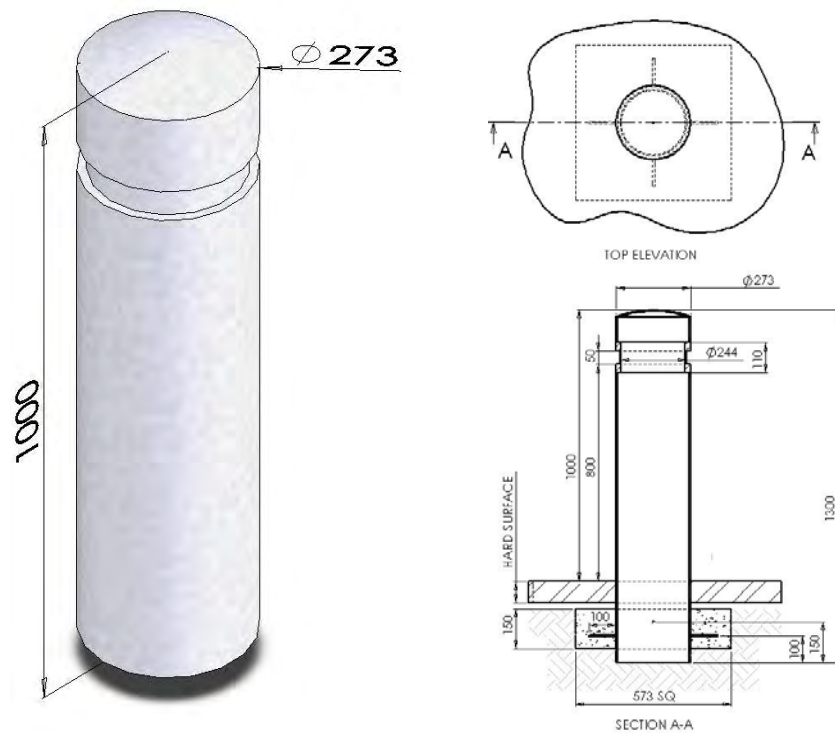
Product Code	Finish	-	Diameter	Height Above NGL	Weight
WSBo-s-01-GS	Galvanized steel	-	152.4mm	975mm	50kg
WSBo-s-01-SS	Stainless steel	-	152.4mm	975mm	50kg
WSBo-s-01-PC-color	Powder coated (please state color with code)	-	152.4mm	975mm	50kg

For sales enquiries email us at sales@ucworks.co.za

WATERKANT 273 BOLLARD

Steel

Product Description



Product Code	Finish	-	Diameter	Width	Height Above NGL	Weight
CFC700Bo-wcc-01-SE	Sandstone Exposed	-	700mm		900mm	450kg
CFC700Bo-wcc-01-CE	Charcoal Exposed	-	700mm		900mm	450kg
CFC700Bo-wcc-01-GE	Grey Exposed	-	700mm		900mm	450kg

CT STATION STEEL BOLLARD

Steel with timber coping

Product Description

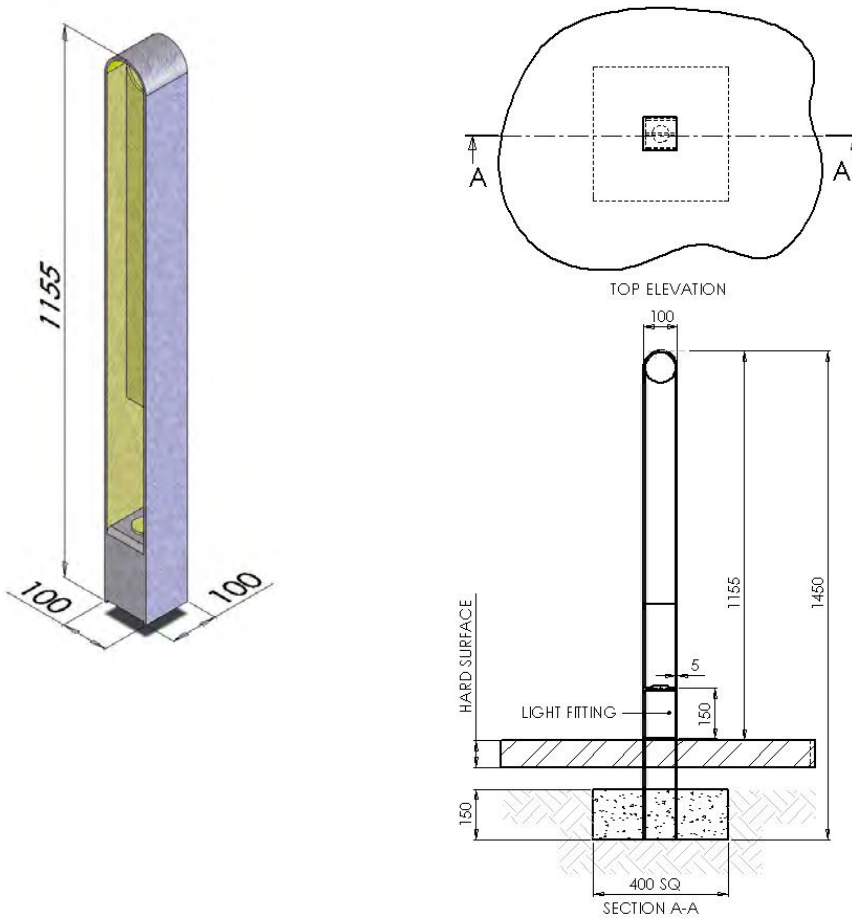


Product Code	Finish	-	Length	Width	Height Above NGL	Weight
CTSSBo-s-01-GS	Galvanized steel	-	152mm	152mm	800mm	100kg
CTSSBo-s-01-SS	Stainless steel	-	152mm	152mm	800mm	100kg
CTSSBo-s-01-PC-color	Powder coated (please state color with code)	-	152mm	152mm	800mm	100kg

LUMEN CLASSIC STEEL BOLLARD

Steel

Product Description

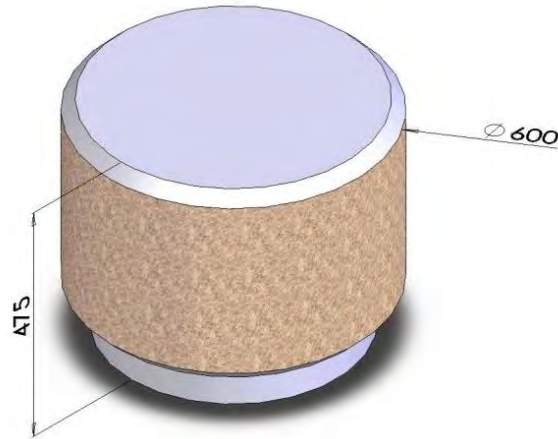


Product Code	Finish	-	Length	Width	Height Above NGL	Weight
LCSBo-s-01-GS	Galvanized steel	-	100mm	100mm	1155mm	80kg
LCSBo-s-01-SS	Stainless steel	-	100mm	100mm	1155mm	80kg
LCSBo-s-01-PC-color	Powder coated (please state color with code)	-	100mm	100mm	1155mm	80kg

PENNY BOLLARD

Wet Cast Concrete

Product Description



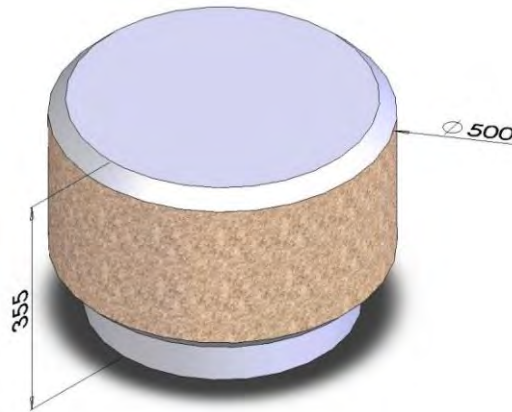
Product Code	Finish	-	Diameter	Height Above NGL	Weight
PBo-wcc-01-SE	Sandstone Exposed	-	600mm	475mm	331kg
PBo-wcc-01-CE	Charcoal Exposed	-	600mm	475mm	331kg
PBo-wcc-01-GE	Grey Exposed	-	600mm	475mm	331kg

For sales enquiries email us at sales@ucworks.co.za

HALF PENNY BOLLARD

Wet Cast Concrete

Product Description



Product Code	Finish	-	Diameter	Height Above NGL	Weight
HPBo-wcc-01-SE	Sandstone Exposed	-	500mm	355mm	189kg
HPBo-wcc-01-CE	Charcoal Exposed	-	500mm	355mm	189kg
HPBo-wcc-01-GE	Grey Exposed	-	500mm	355mm	189kg

Bollard and General Surrounds

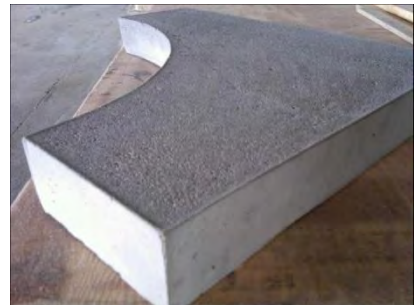
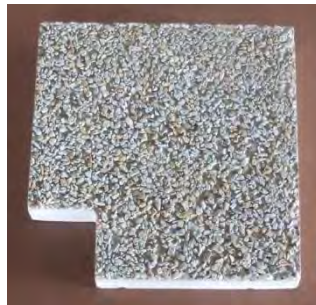
Wet Cast Concrete

Product Description

Bollard surrounds can be made to fit around any bollard and into any paving module.

Thickness same as surrounding surfacing

Made in ½ pieces or ¼ pieces



Product Ordering

Please provide the following information when placing order

Bollard size (inside size)

Round or Square

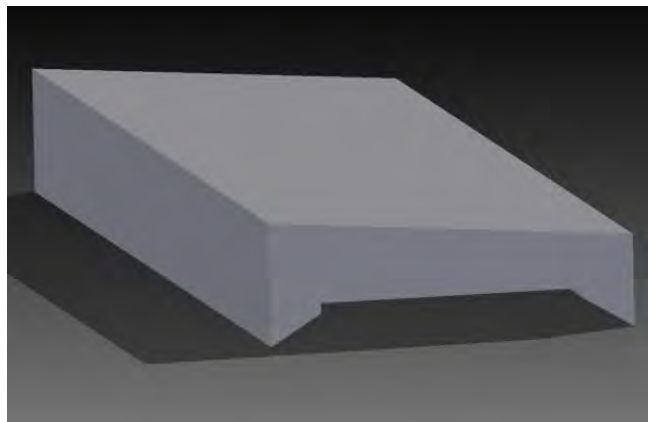
Paving module to fit into (outside size)

Thickness of paving.

For sales enquiries email us at sales@ucworks.co.za



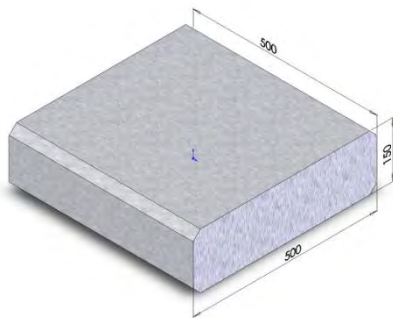
COPINGS



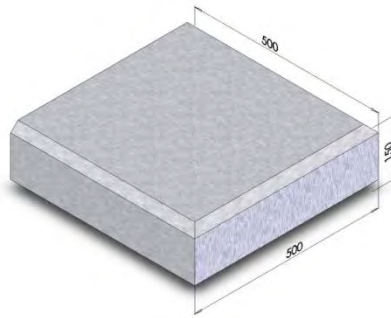
Greenpoint Copings

Wet Cast Concrete

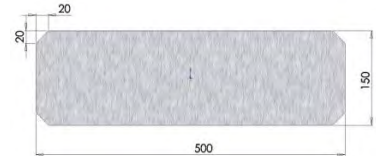
Product Description



Central Piece



End Piece



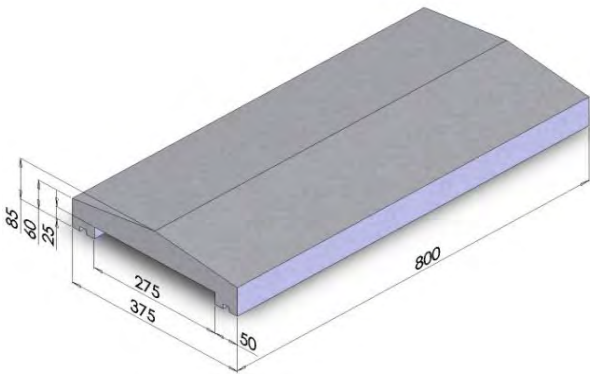
Profile

Product Code	Finish	-	Length	Width	Height	Weight
GC-wcc-01-SE	Sandstone Exposed	-	500mm	500mm	150mm	100kg
GC-wcc-01-CE	Charcoal Exposed	-	500mm	500mm	150mm	100kg
GC-wcc-01-GE	Grey Exposed	-	500mm	500mm	150mm	100kg
GC-wcc-01-CS	Charcoal Smooth	-	500mm	500mm	150mm	100kg

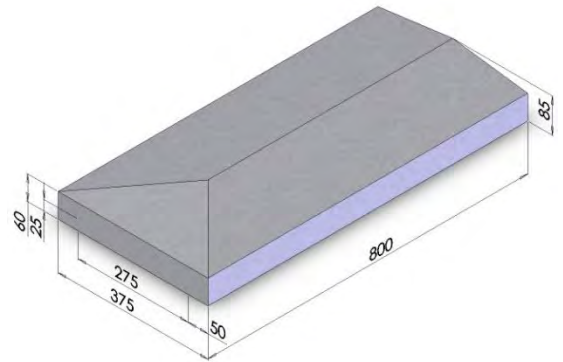
Concrete Copings

Wet Cast Concrete

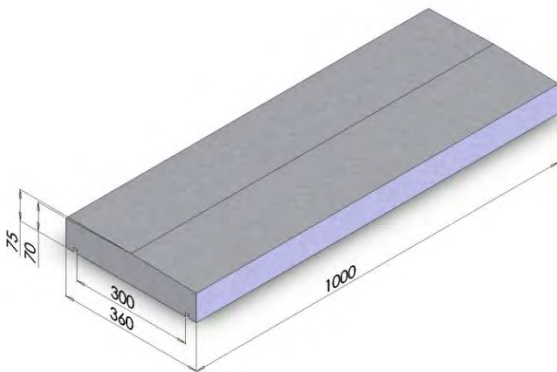
IC 1 Lip Coping



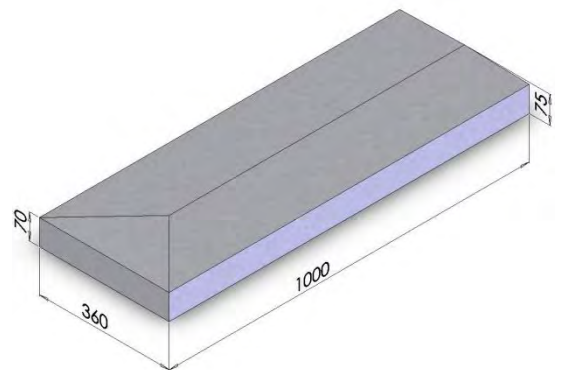
IC 1E Lip Coping End



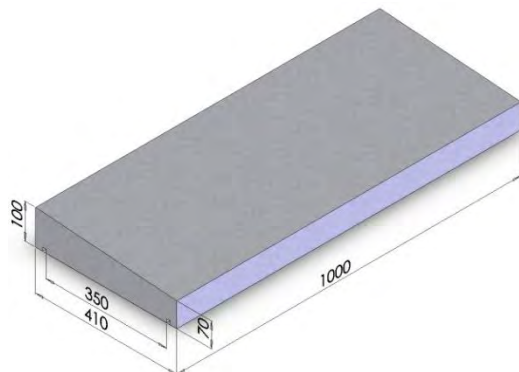
IC 2 Flat Coping



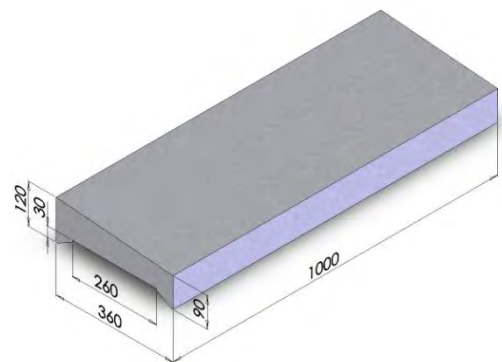
IC 2E Flat Coping End



IC 3 Flat Coping



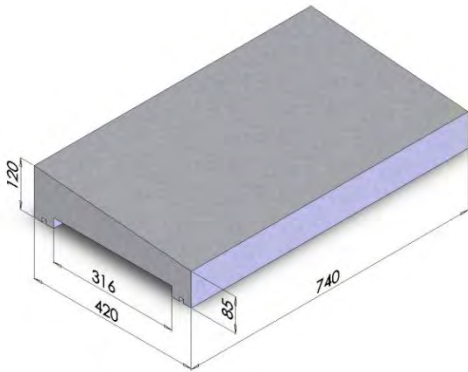
IC 4 Lip Coping



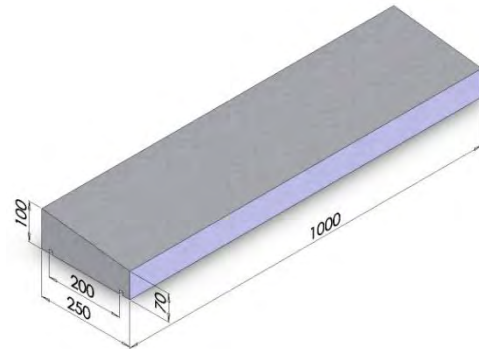
Concrete Copings

Wet Cast Concrete

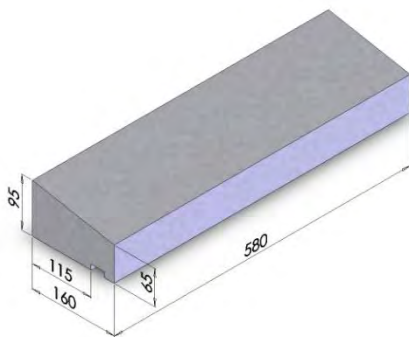
IC 5 Lip Coping



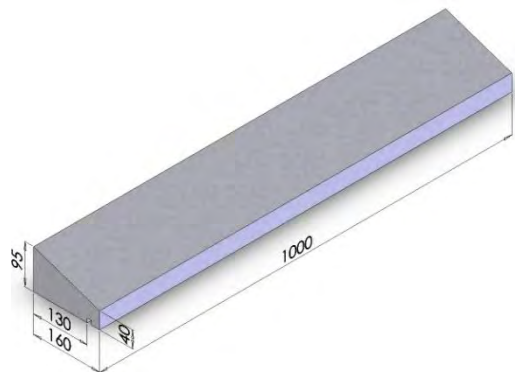
IC 6 Flat Coping



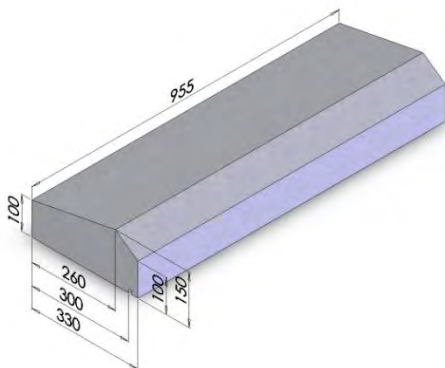
IC 7 Flat Coping



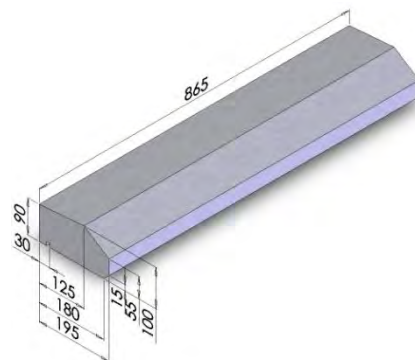
IC 8E Flat Coping



IC 9 Flat Coping



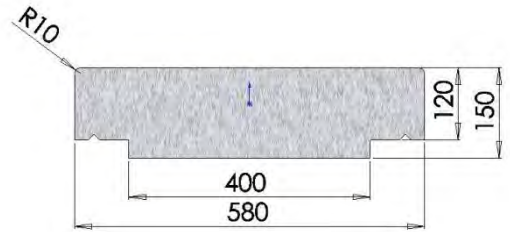
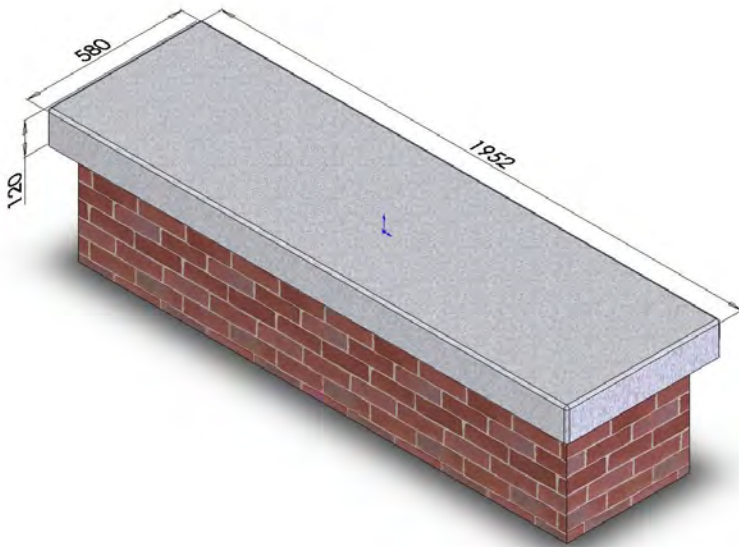
IC 10 Flat Coping



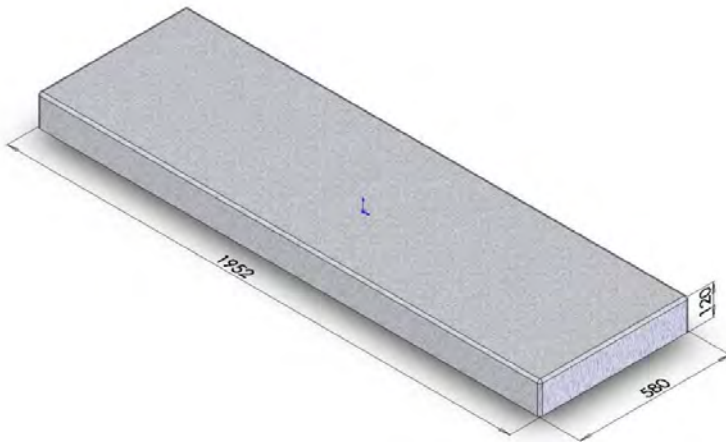
Lentegeur Bench Coping

Wet Cast Concrete

Product Description

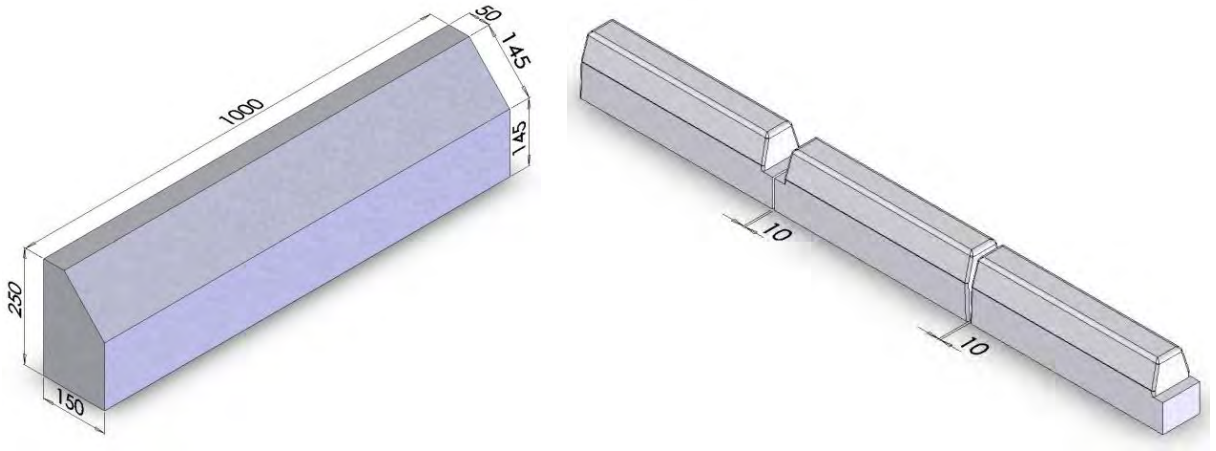


Brickwork to Architects specification, total height above NGL 500mm

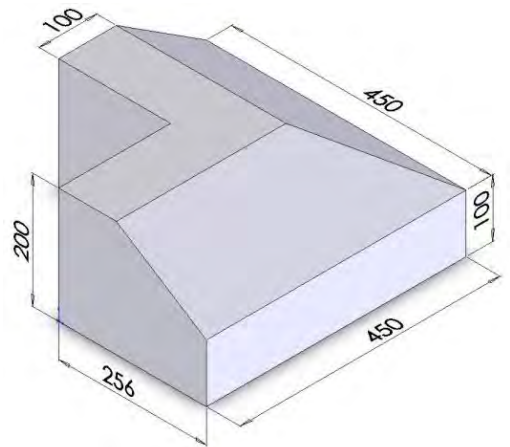
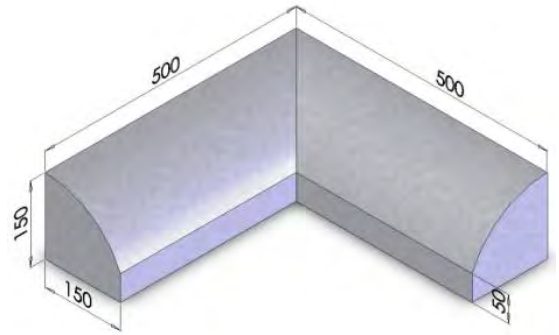
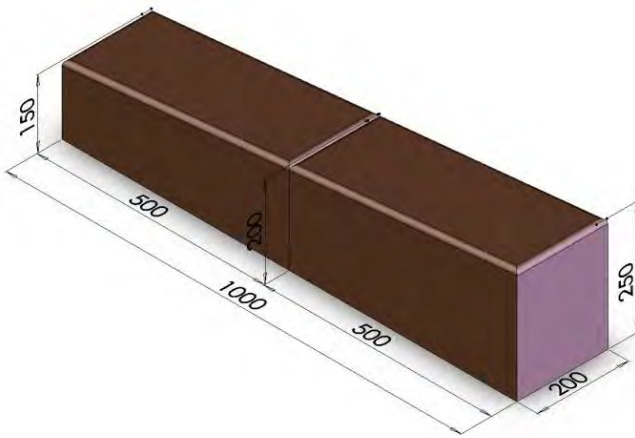


Product Code	Finish	-	Length	Width	Height	Weight
LGBC-wcc-01-SE	Sandstone Exposed	-	1952mm	580mm	150mm	150kg
LGBC-wcc-01-CE	Charcoal Exposed	-	1952mm	580mm	150mm	150kg
LGBC-wcc-01-GE	Grey Exposed	-	1952mm	580mm	150mm	150kg
LGBC-wcc-01-CS	Charcoal Smooth	-	1952mm	580mm	150mm	150kg

For sales enquiries email us at sales@ucworks.co.za



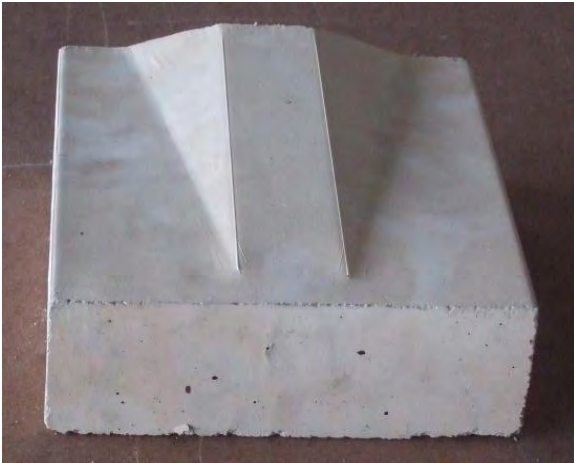
KERBS



Cycle Lane Delineation Module

Wet Cast Concrete

End Module



Straight Module



Combined

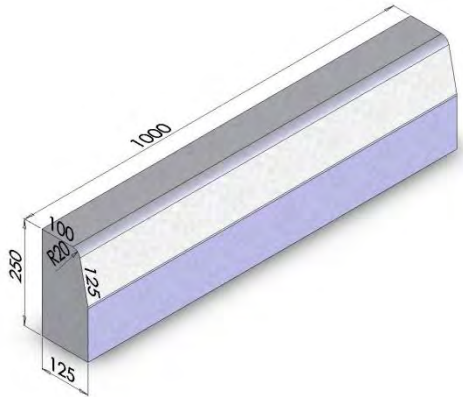


Product Code	Finish	-	Length	Width	Height	Weight
BLD straight-wcc-01-G	White Smooth	-	500mm	200mm	150mm	50kg
BLD end-wcc-01-G	White Smooth	-	500mm	200mm	150mm	50kg

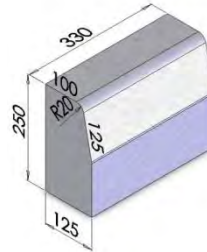
Barrier Kerbs

Wet Cast Concrete

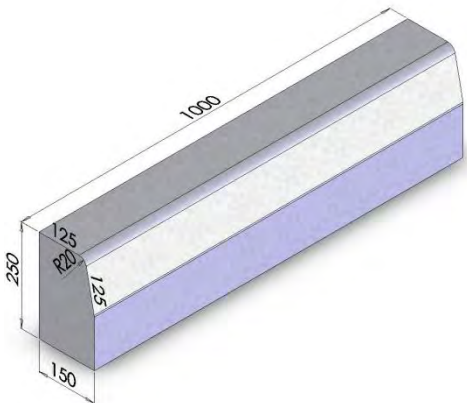
BK1 1000 (75kg)



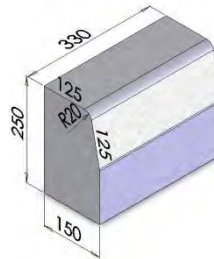
BK1 330 (25kg)



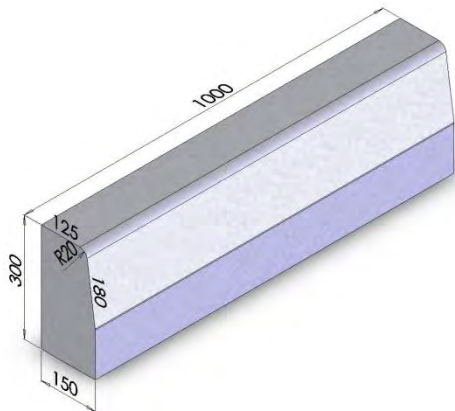
BK2 1000 (85kg)



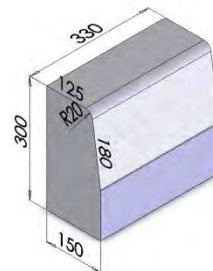
BK2 330 (29kg)



BK4 1000 (103kg)



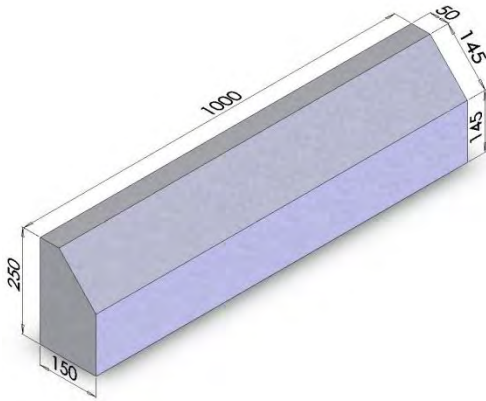
BK4 330 (34kg)



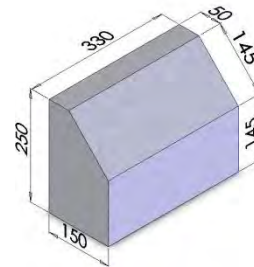
Mountable Kerbs

Wet Cast Concrete

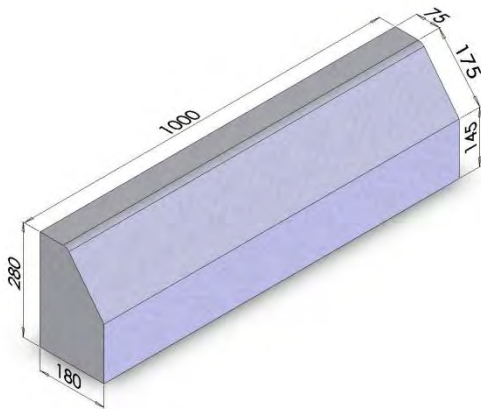
MK1 1000 (75kg)



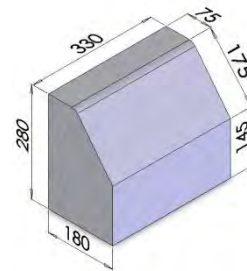
MK1 330 (25kg)



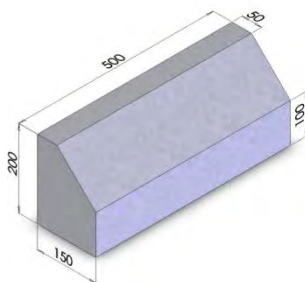
MK2 1000 (105kg)



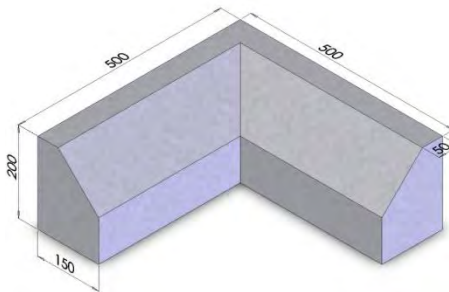
MK2 330 (36kg)



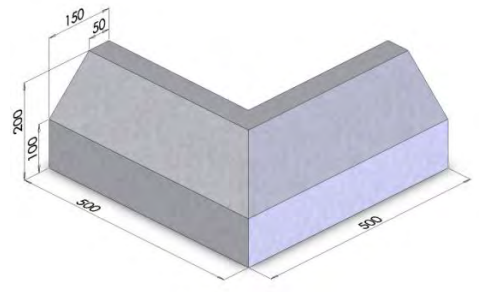
LS3 500 (30kg)



LS3 Inside Corner (55kg)



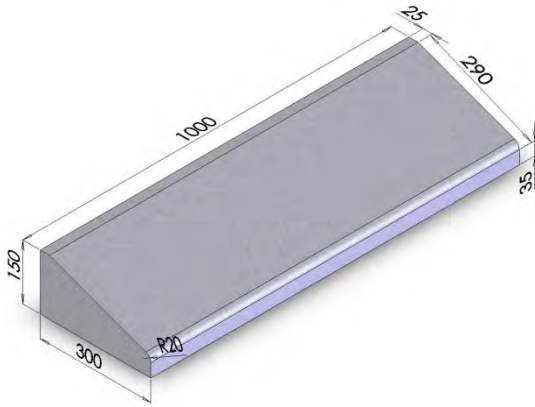
LS3 Outside Corner (55kg)



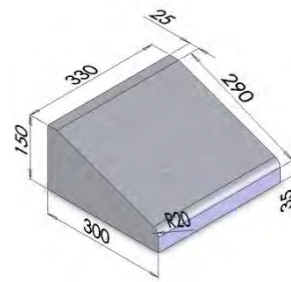
Mountable Kerbs

Wet Cast Concrete

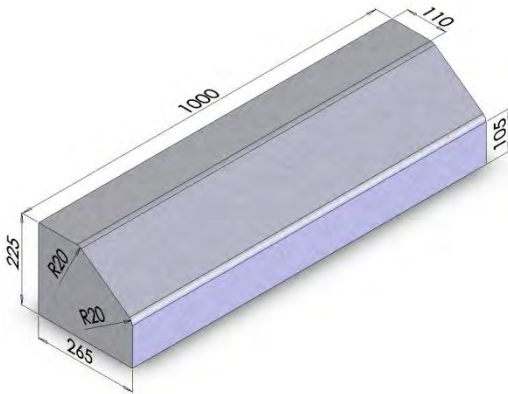
MK4 1000 (75kg)



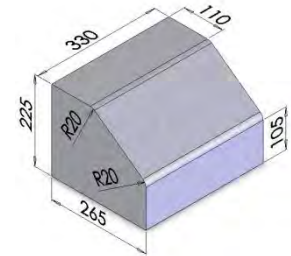
MK4 330 (25kg)



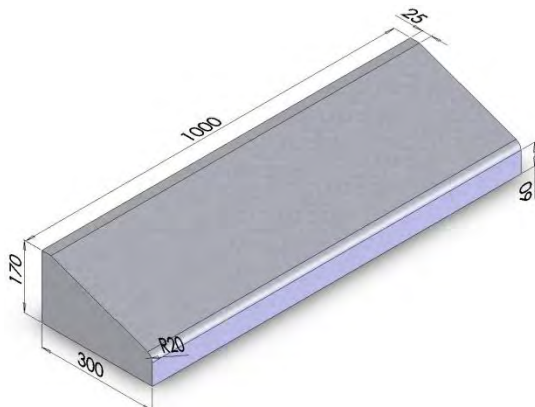
MK5 1000 (92kg)



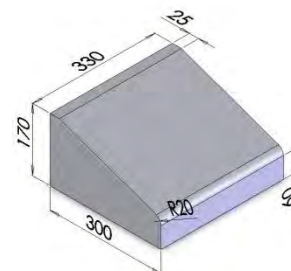
MK5 330 (46kg)



MK7 1000 (90kg)



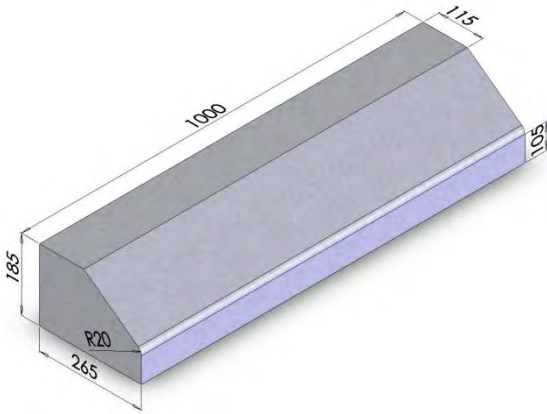
MK7 330 (30kg)



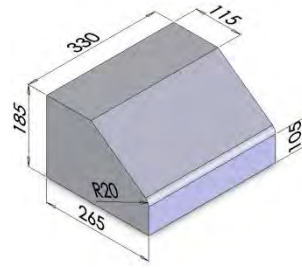
Mountable Kerbs

Wet Cast Concrete

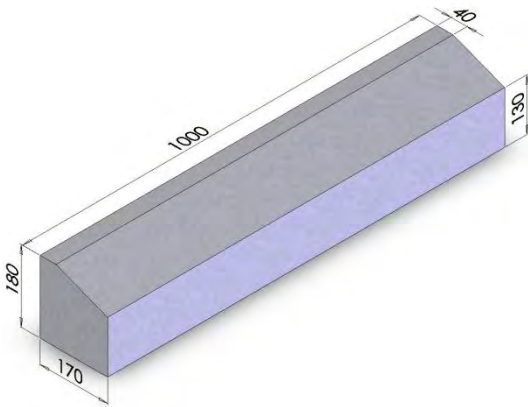
MK8 1000 (75kg)



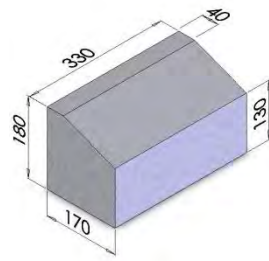
MK8 330 (25kg)



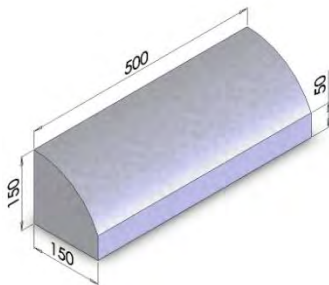
MK10 1000 (66kg)



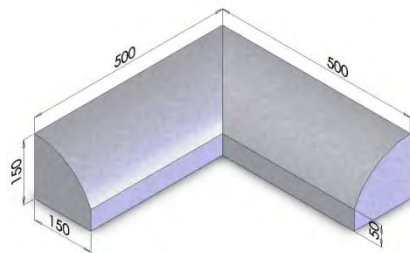
MK10 330 (22kg)



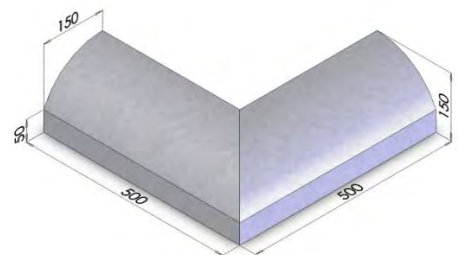
LS3 500 (30kg)



LS3 Inside Corner (55kg)



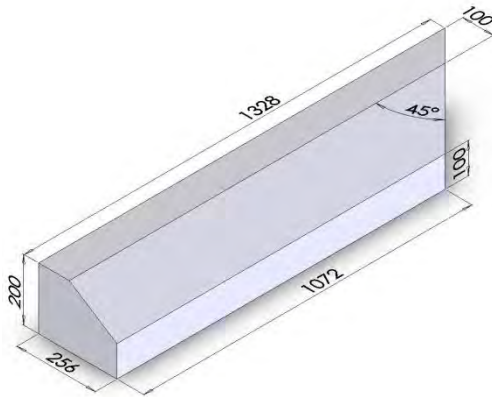
LS3 Outside Corner (55kg)



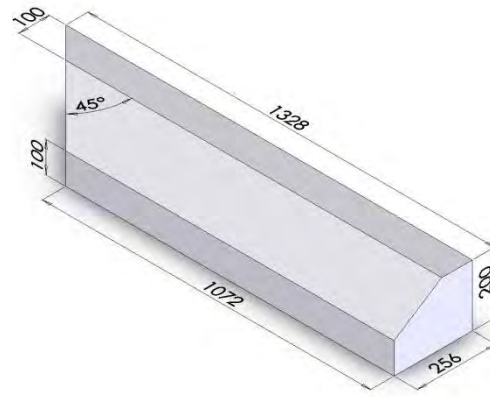
Mountable Kerbs

Wet Cast Concrete

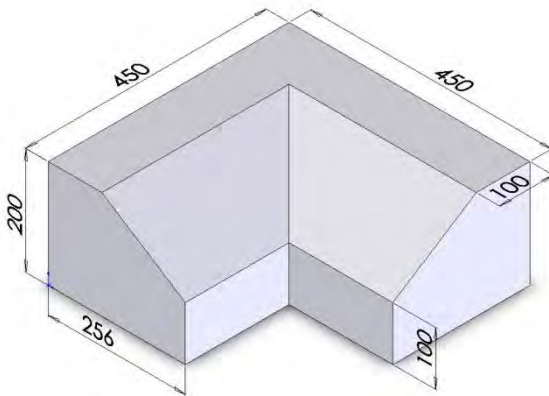
MK15 Straight right (80kg)



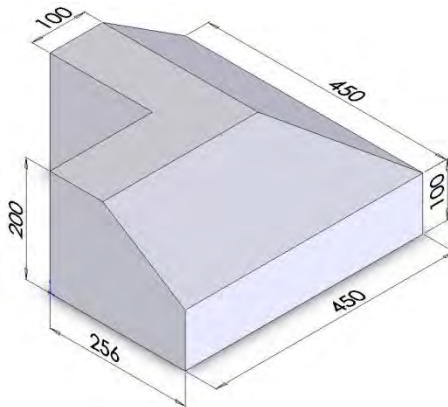
MK15 Straight Left (80kg)



MK15 Outside Corner (50kg)



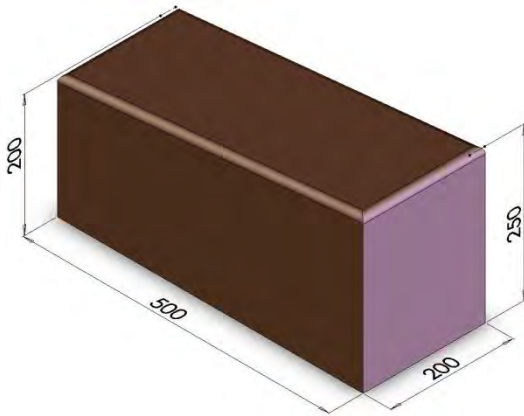
MK15 Inside Corner (50kg)



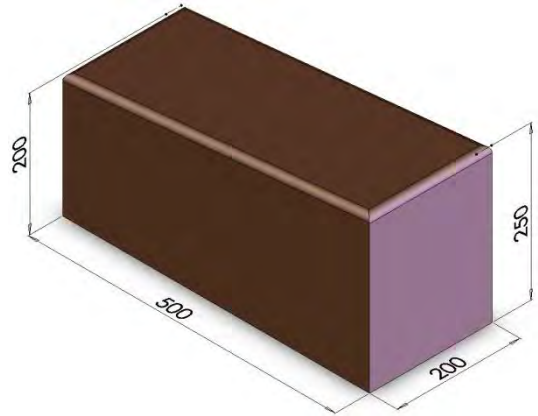
Raised Pedestrian Crossing Ramp

Wet Cast Concrete

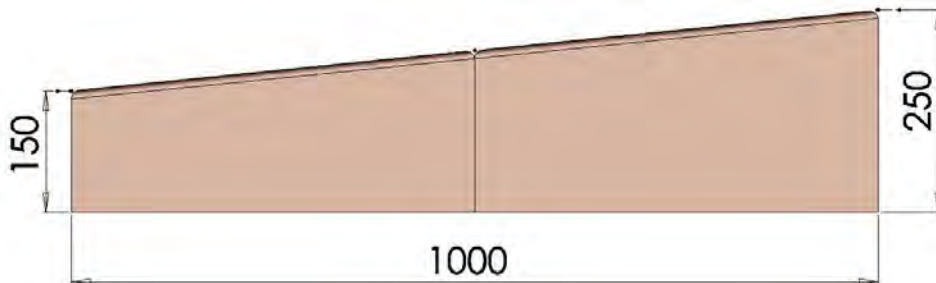
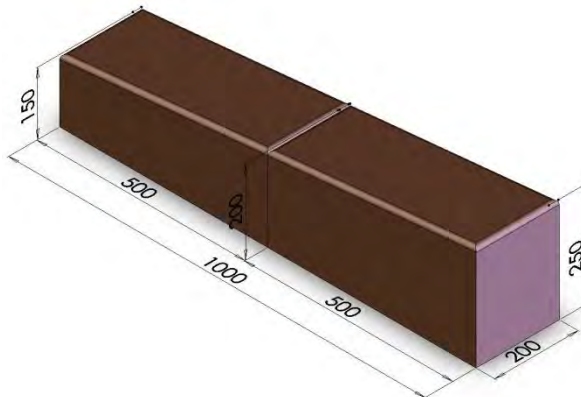
Ramp Module 1 150-200 (52kg)



Ramp Module 2 200-250 (52kg)



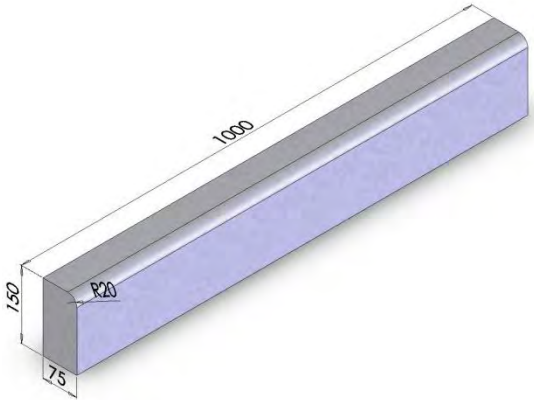
Ramp Modules combined



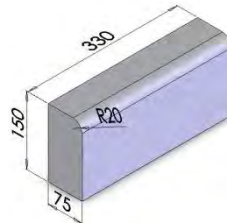
Edgings

Wet Cast Concrete

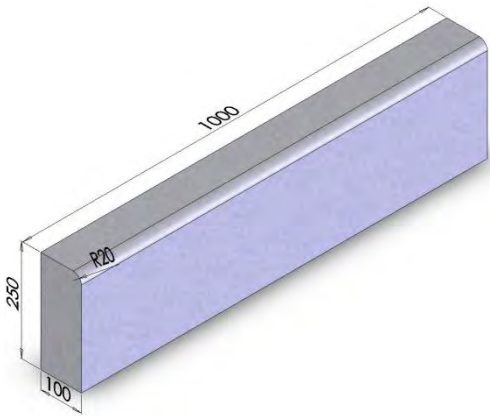
E1 1000 (30kg)



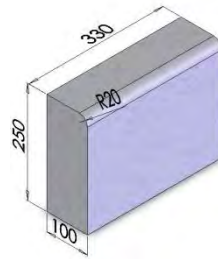
E1 330 (10kg)



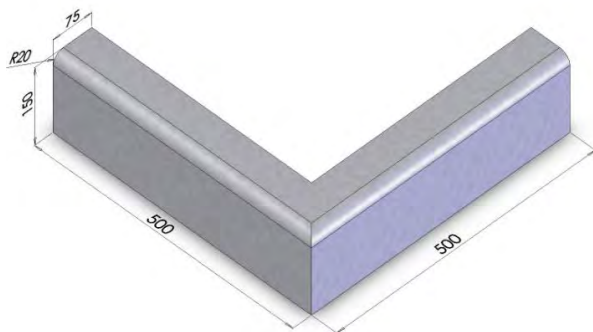
E3 1000 (60kg)



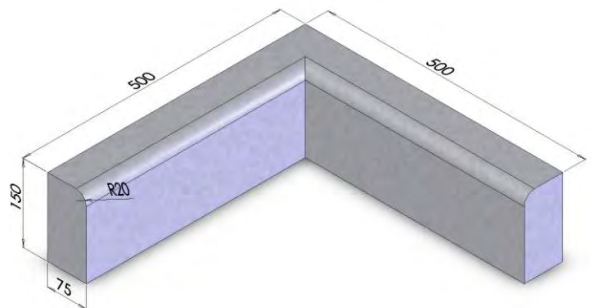
E3 330 (20kg)



E1 Outside Corner (30kg)



E1 Inside Corner (30kg)



Water Channels

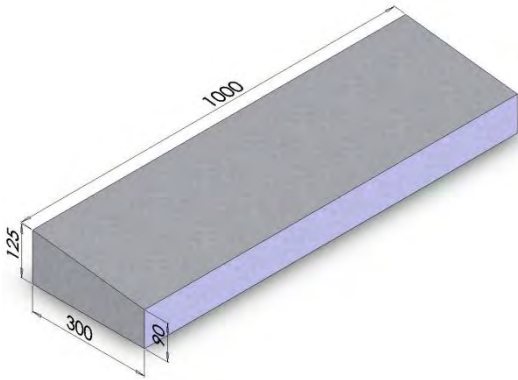
Wet Cast Concrete

WATER CHANNELS

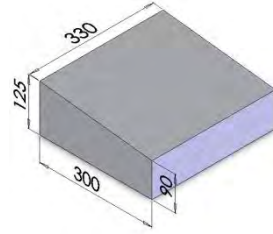
Water Channels

Wet Cast Concrete

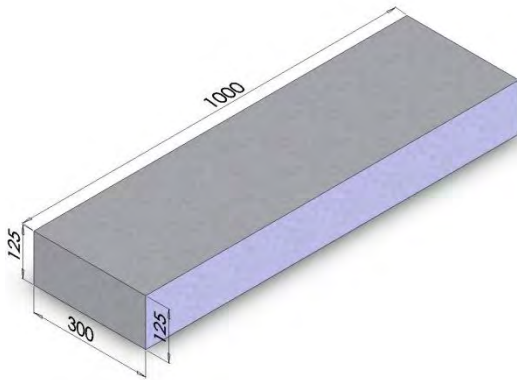
C1 1000 (75kg)



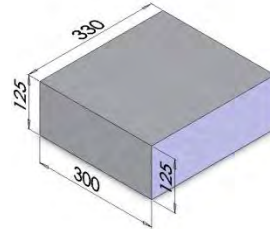
C1 330 (25kg)



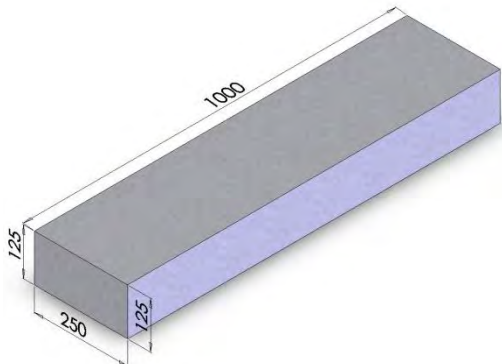
C2 1000 (92kg)



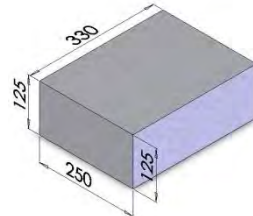
C2 330 (31kg)



C3 1000 (72kg)



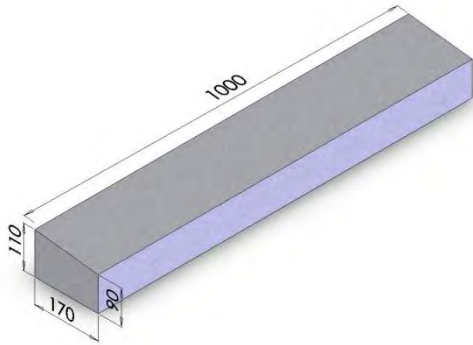
C3 330 (24kg)



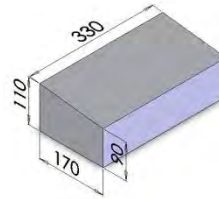
Water Channels

Wet Cast Concrete

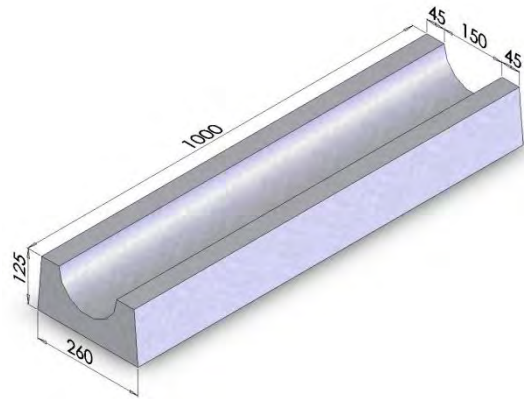
C4 1000 (50kg)



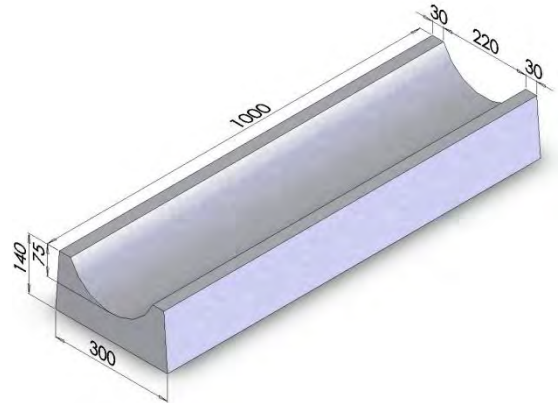
C4 330 (18kg)



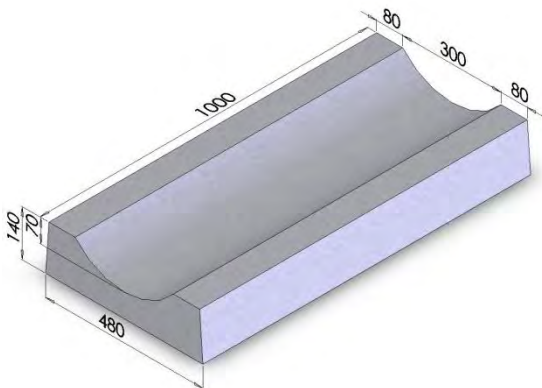
W1 1000 (40kg)



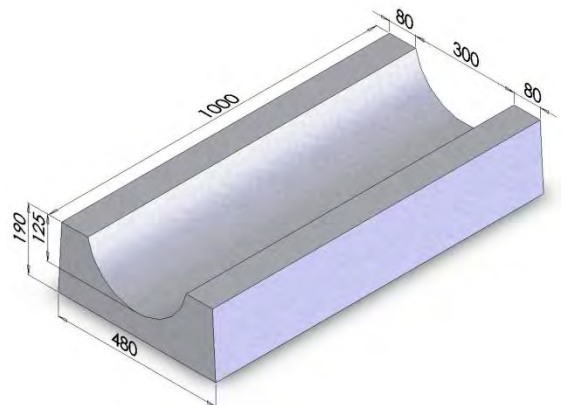
W2 1000 (70kg)



W3 1000 (125kg)



W4 1000 (128kg)

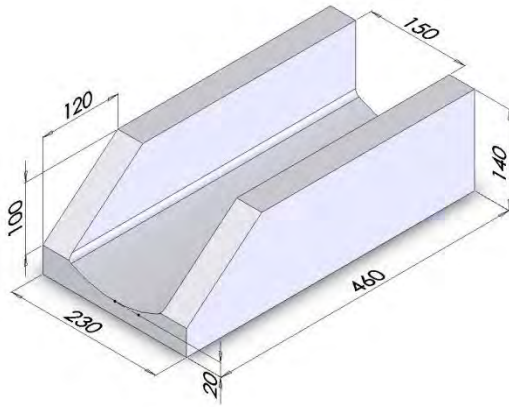


For sales enquiries email us at sales@ucworks.co.za

Water Channels

Wet Cast Concrete

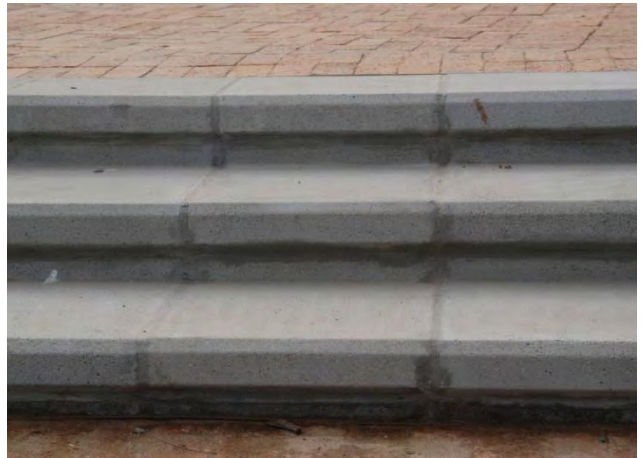
Water Spout A (50kg)



For sales enquiries email us at sales@ucworks.co.za



STEPS



For sales enquiries email us at sales@ucworks.co.za

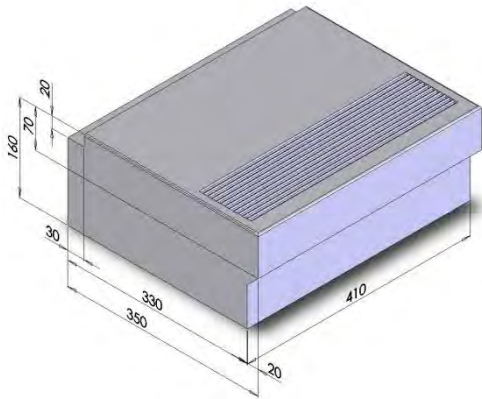
Greenpoint Steps

Wet Cast Concrete

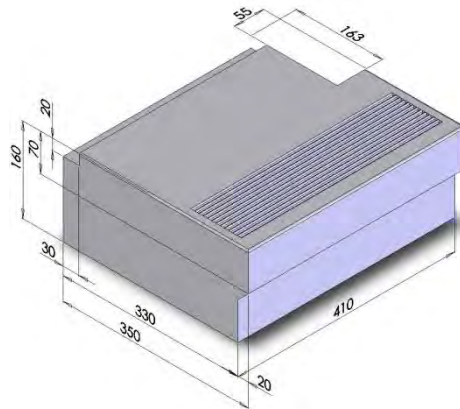
Product description



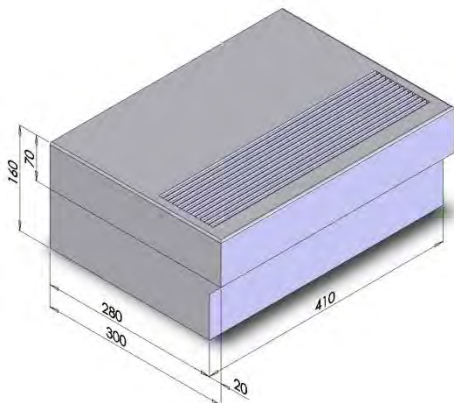
Step Block



Handrail Block



Landing Block

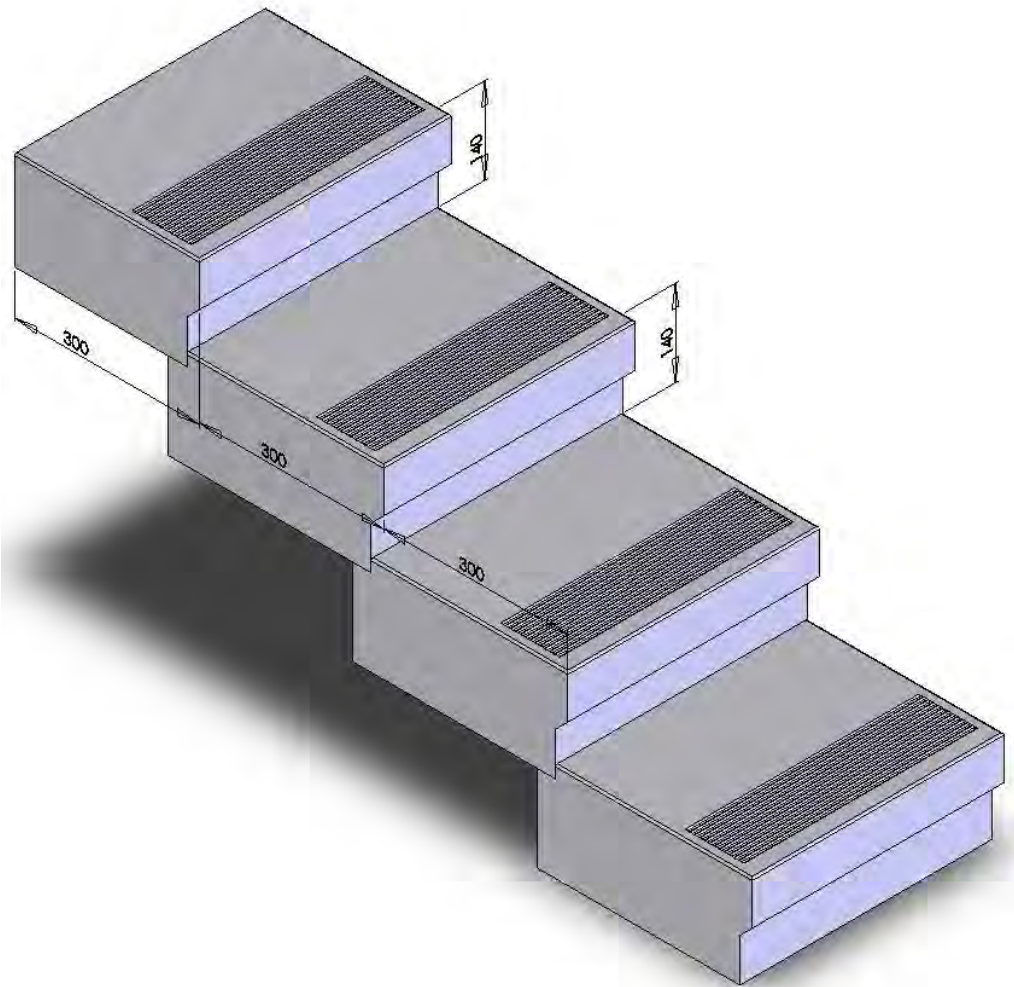


For sales enquiries email us at sales@ucworks.co.za

Greenpoint Steps

Wet Cast Concrete

Product Assembly



Product Code	Finish	-	Length	Width	Height	Weight
GpS-wcc-01-SE	Sandstone Exposed	-	500mm	500mm	150mm	100kg
GpS-wcc-01-CE	Charcoal Exposed	-	500mm	500mm	150mm	100kg
GpS-wcc-01-GE	Grey Exposed	-	500mm	500mm	150mm	100kg
GpS-wcc-01-CS	Charcoal Smooth	-	500mm	500mm	150mm	100kg

Comet Step

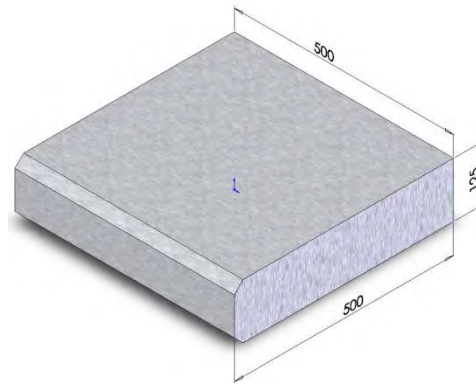
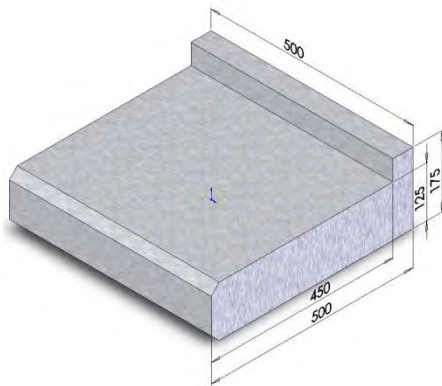
Wet Cast Concrete

Product Description



Comet Step With Riser (CSR)

Comet Step Flat (CSF)



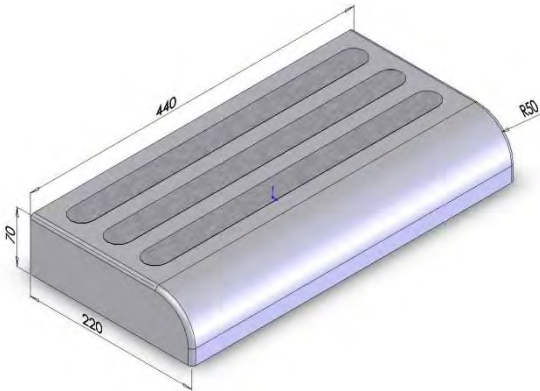
Product Code	Finish	-	Length	Width	Height	Weight
CSR-wcc-01-SE	Sandstone Exposed	-	500mm	500mm	125mm	100kg
CSF-wcc-01-CE	Charcoal Exposed	-	500mm	500mm	125mm	100kg
CSF-wcc-01-GE	Grey Exposed	-	500mm	500mm	125mm	100kg
CSR-wcc-01-CS	Charcoal Smooth	-	500mm	500mm	125mm	100kg

For sales enquiries email us at sales@ucworks.co.za

Bull Nose Step

Wet Cast Concrete

Product Description



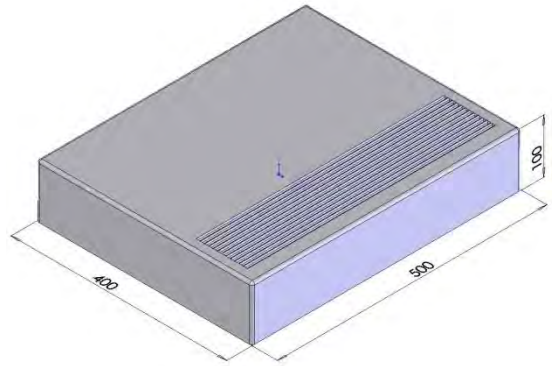
Product Code	Finish	-	Length	Width	Height	Weight
BNS-wcc-01-SS	Sandstone Smooth	-	440mm	220mm	70mm	15kg
BNS-wcc-01-CS	Charcoal Smooth	-	440mm	220mm	70mm	15kg
BNS-wcc-01-GS	Grey Smooth	-	440mm	220mm	70mm	15kg

For sales enquiries email us at sales@ucworks.co.za

Square Step

Wet Cast Concrete

Product Description

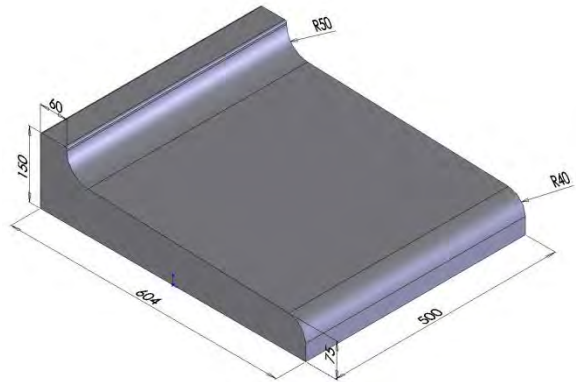
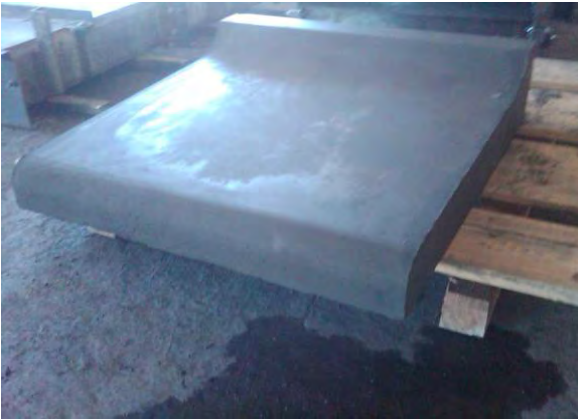


Product Code	Finish	-	Length	Width	Height	Weight
SS-wcc-01-SS	Sandstone Smooth	-	500mm	400mm	100mm	55kg
SS-wcc-01-CS	Charcoal Smooth	-	500mm	400mm	100mm	55kg
SS-wcc-01-GS	Grey Smooth	-	500mm	400mm	100mm	55kg

For sales enquiries email us at sales@ucworks.co.za

Greenpoint Seater Step

Wet Cast Concrete



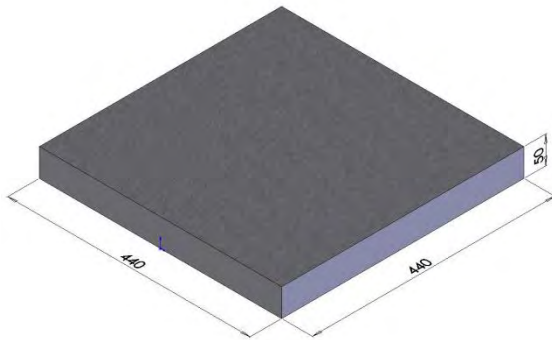
Product Code	Finish	-	Length	Width	Height	Weight
GPSS-wcc-01-SS	Sandstone Smooth	-	604mm	500mm	75 -150mm	55kg
GPSS-wcc-01-CS	Charcoal Smooth	-	604mm	500mm	75 -150mm	55kg
GPSS-wcc-01-GS	Grey Smooth	-	604mm	500mm	75 -150mm	55kg

For sales enquiries email us at sales@ucworks.co.za

Greenpoint Square Step

Wet Cast Concrete

Product Description



Product Code	Finish	-	Length	Width	Height	Weight
GSS-wcc-01-SE	Sandstone Exposed	-	440mm	440mm	50mm	35kg
GSS-wcc-01-CE	Charcoal Exposed	-	440mm	440mm	50mm	35kg
GSS-wcc-01-GE	Grey Exposed	-	440mm	440mm	50mm	35kg



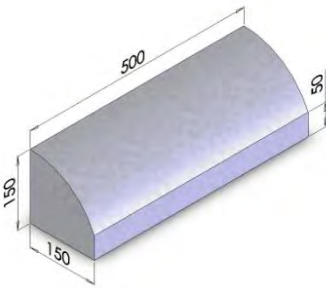
PLANTERS AND TREE SURROUNDS



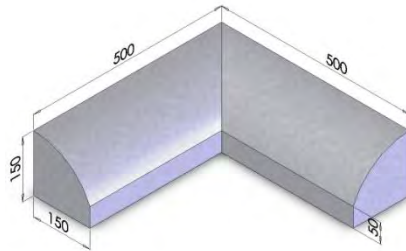
Urban CURVE Planter & Tree Surround Module

Wet Cast Concrete

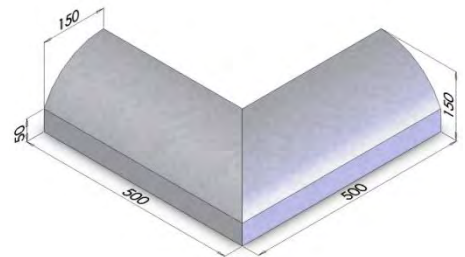
Product Description



Straight module



Inside Corner Module



Outside Corner Module

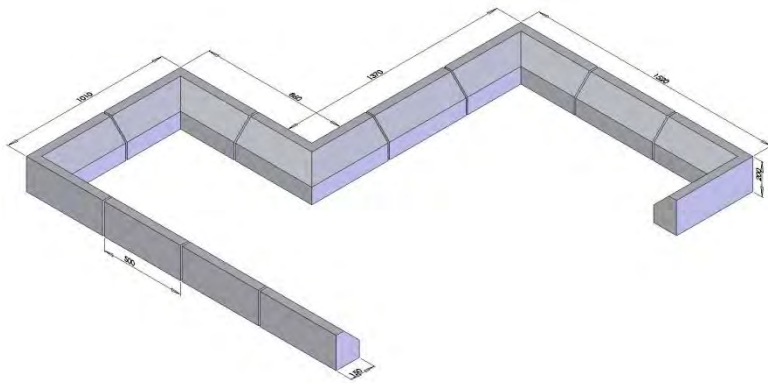
Product Code	Finish	-	Length	Width	Height	Weight
Straight Module						
UCSP-wcc-01-CS	Charcoal Smooth	-	500mm	150mm	150mm	40kg
UCSP-wcc-01-SS	Sandstone Smooth	-	500mm	150mm	150mm	40kg
Inside Corner Module						
UCICP-wcc-01-CS	Charcoal Smooth	-	500mm	500mm	150mm	70kg
UCICP-wcc-01-SS	Sandstone Smooth	-	500mm	500mm	150mm	70kg
Outside Corner Module						
UCOCP-wcc-01-CS	Charcoal Smooth	-	500mm	500mm	150mm	70kg
UCOCP-wcc-01-SS	Sandstone Smooth	-	500mm	500mm	150mm	70kg

For sales enquiries email us at sales@ucworks.co.za

FLUSH Planter & Tree Surround Module

Wet Cast Concrete

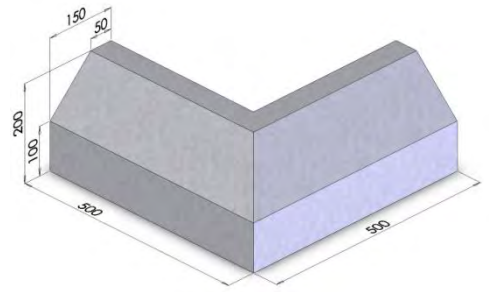
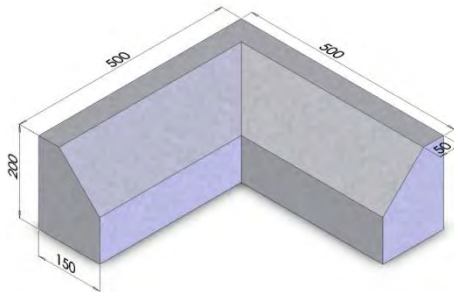
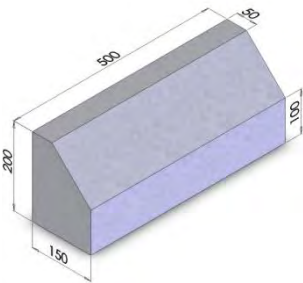
Product Description



Straight module

Inside Corner Module

Outside Corner Module



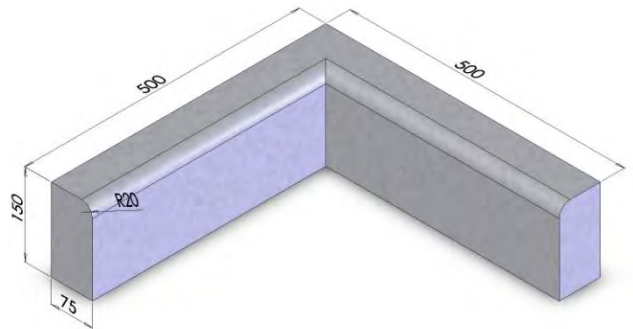
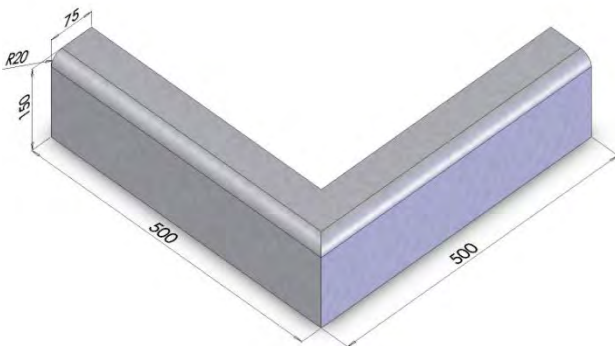
Product Code	Finish	-	Length	Width	Height	Weight
Straight Module						
FSP-wcc-01-CS	Charcoal Smooth	-	500mm	150mm	150mm	40kg
FSP-wcc-01-SS	Sandstone Smooth	-	500mm	150mm	150mm	40kg
Inside Corner Module						
FICP-wcc-01-CS	Charcoal Smooth	-	500mm	500mm	150mm	70kg
FICP-wcc-01-SS	Sandstone Smooth	-	500mm	500mm	150mm	70kg
Outside Corner Module						
FOCP-wcc-01-CS	Charcoal Smooth	-	500mm	500mm	150mm	70kg
FOCP-wcc-01-SS	Sandstone Smooth	-	500mm	500mm	150mm	70kg

E1 Planter & Tree Surround Module

Wet Cast Concrete

Product description

Used in conjunction with E1 edging, both straight and corner pieces can be supplied in colours as per colour page

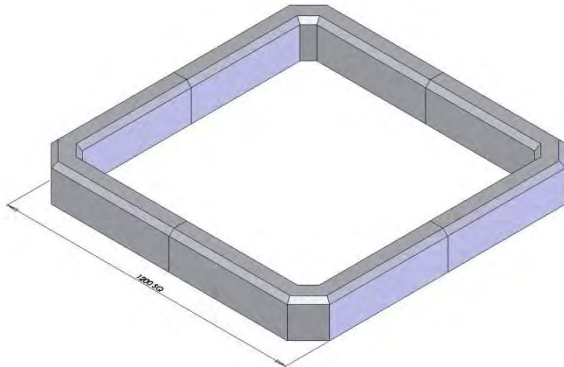
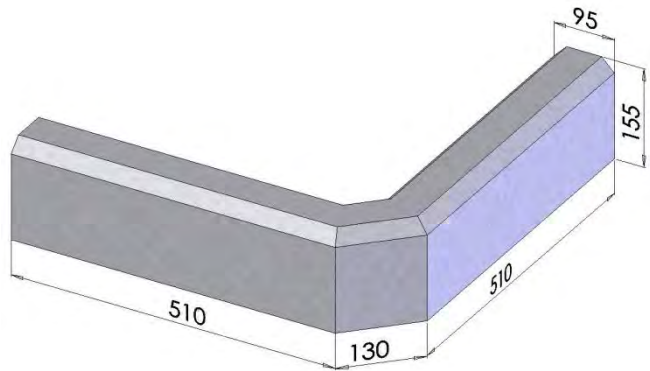


Product Code	Finish	-	Length	Width	Height	Weight
Straight Module						
E1SP-wcc-01-CS	Charcoal Smooth	-	500mm	150mm	150mm	40kg
E1SP-wcc-01-SS	Sandstone Smooth	-	500mm	150mm	150mm	40kg
Inside Corner Module						
E1ICP-wcc-01-CS	Charcoal Smooth	-	500mm	500mm	150mm	70kg
E1ICP-wcc-01-SS	Sandstone Smooth	-	500mm	500mm	150mm	70kg
Outside Corner Module						
E1OCP-wcc-01-CS	Charcoal Smooth	-	500mm	500mm	150mm	70kg
E1OCP-wcc-01-SS	Sandstone Smooth	-	500mm	500mm	150mm	70kg

Hex Planter & Tree Surround Module

Wet Cast Concrete

Product Description



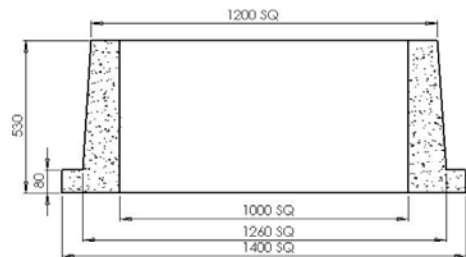
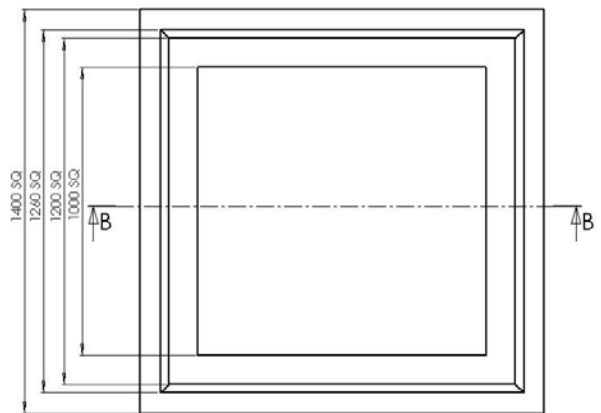
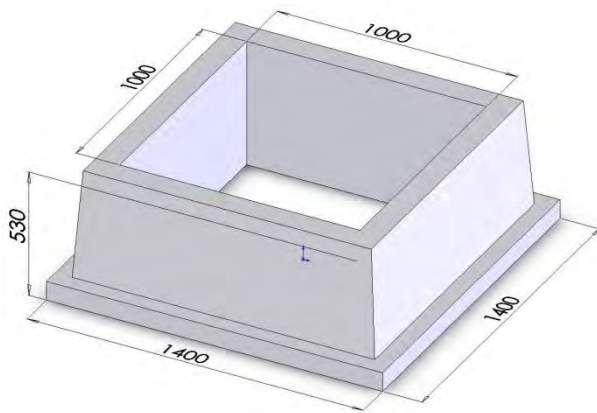
Product Code	Finish	-	Length	Width	Height	Weight
Straight Module						
HP-wcc-01-CS	Charcoal Smooth	-	500mm	95mm	155mm	40kg
HP-wcc-01-SS	Sandstone Smooth	-	500mm	95mm	155mm	40kg
Corner Module						
HICP-wcc-01-CS	Charcoal Smooth	-	510mm	95mm	155mm	70kg
HICP-wcc-01-SS	Sandstone Smooth	-	510mm	95mm	155mm	70kg

Aquaflow Square Tree Surround

Wet Cast Concrete

Product Description:

Tree surround to be used with Aquaflow Paving – to protect layer works to be installed flush with paving. Cast with 30/19 concrete.



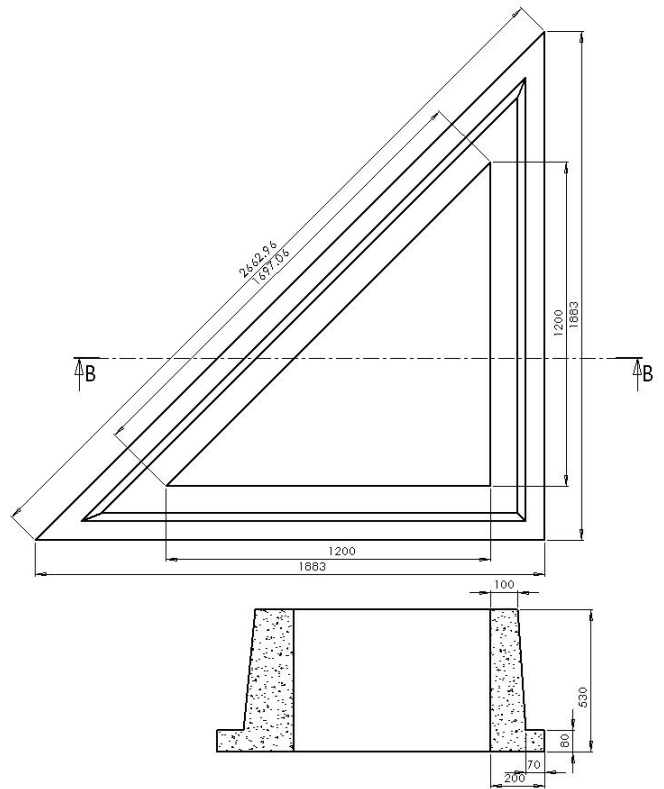
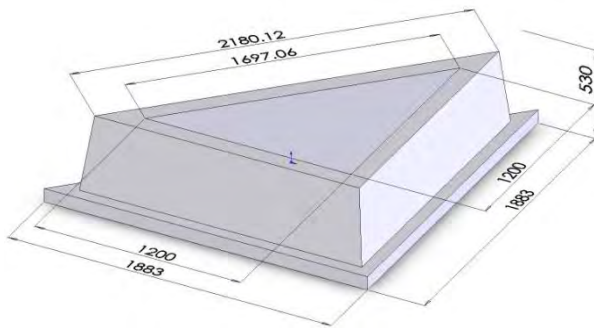
Product Code	Finish	-	Length	Width	Height	Weight
BPT-wcc-01-CS	Charcoal Smooth	-	1400mm	1400mm	530mm	800kg
BPT-wcc-01-SS	Sandstone Smooth	-	1400mm	1400mm	530mm	800kg

Aquaflow Triangle Tree Surround

Wet Cast Concrete

Product Description:

Tree surround to be used with Aquaflow Paving – to protect layerworks To be installed flush with paving
Cast using 30/19 concrete



Product Code	Finish	-	Radii	Width	Height	Weight
TT-wcc-01-CS	Charcoal Smooth	-	450mm	150mm	200mm	40kg
TT-wcc-01-SS	Sandstone Smooth	-	450mm	150mm	200mm	40kg

For sales enquiries email us at sales@ucworks.co.za



TACTILE PAVING



Tactile Paving Block

Wet Cast Concrete

CSS Hazard Warning Tactile Block as per SANS 784:2008
440mm x 440mm x 70mm , specify colour as per colour pallet page



CSS Directional Tactile Block as per SANS 784:2008
440mm x 440mm x 70mm , specify colour as per colour pallet page



For sales enquiries email us at sales@ucworks.co.za

Tactile Paving Blocks

Wet Cast Concrete

CSS Cycleway Tactile Block as per SANS 784:2008
440mm x 440mm x 70mm , specify colour as per colour pallet page



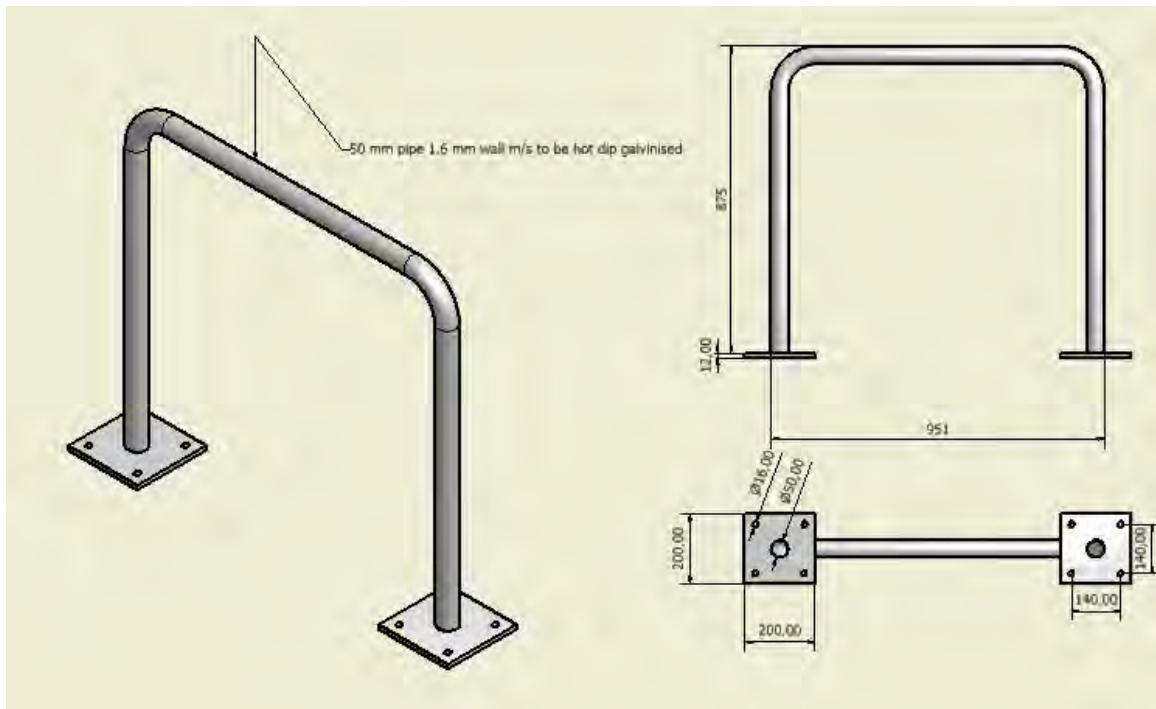
BICYCLE STANDS



Bicycle Stand 1

Galvanized Steel

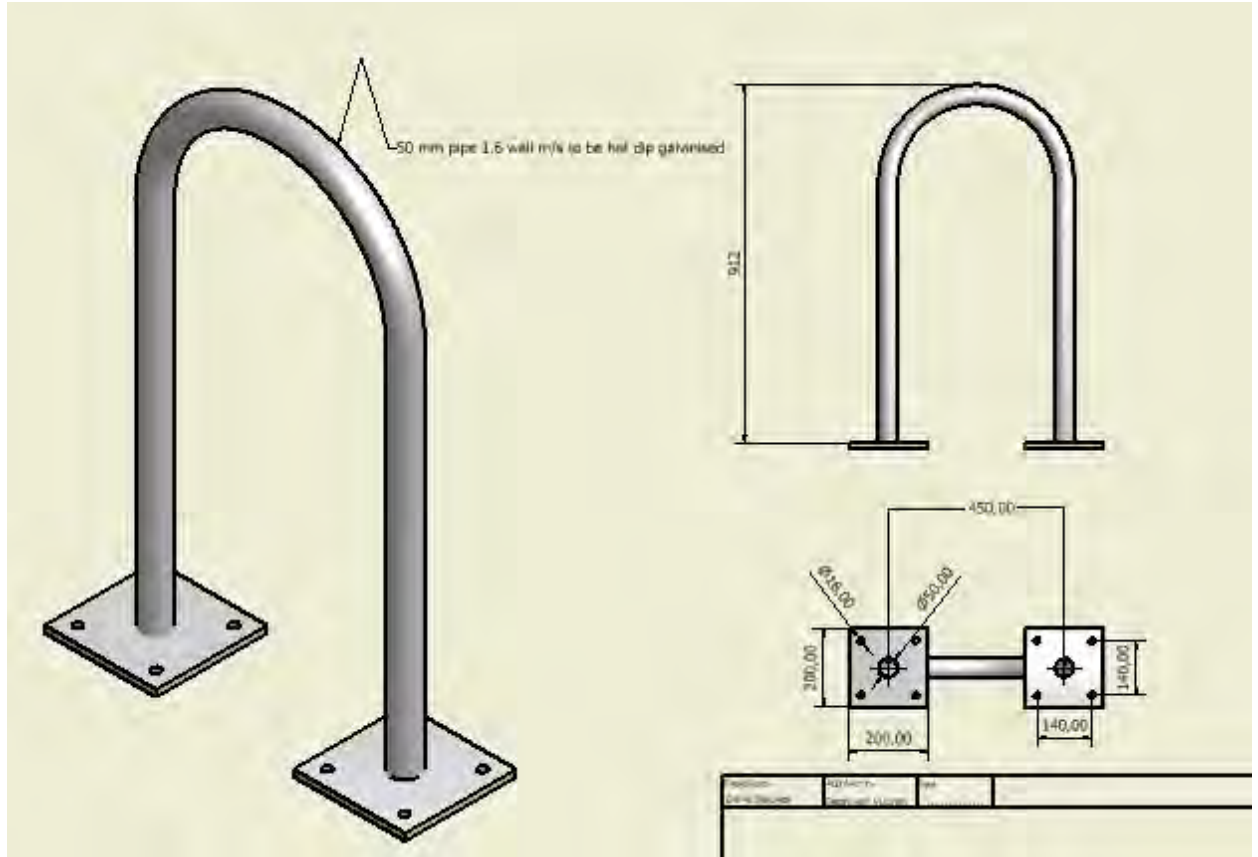
Product Description



Bicycle Stand 2

Galvanized Steel

Product Details



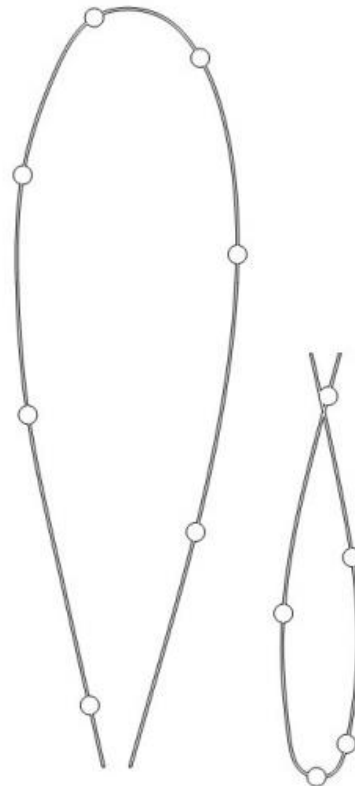
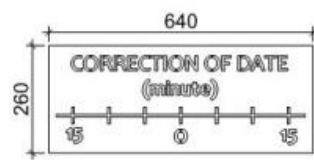


COSTUMER SPECIFIC PRODUCTS



Customer Specific Products

Greenpoint Park Sun Dial



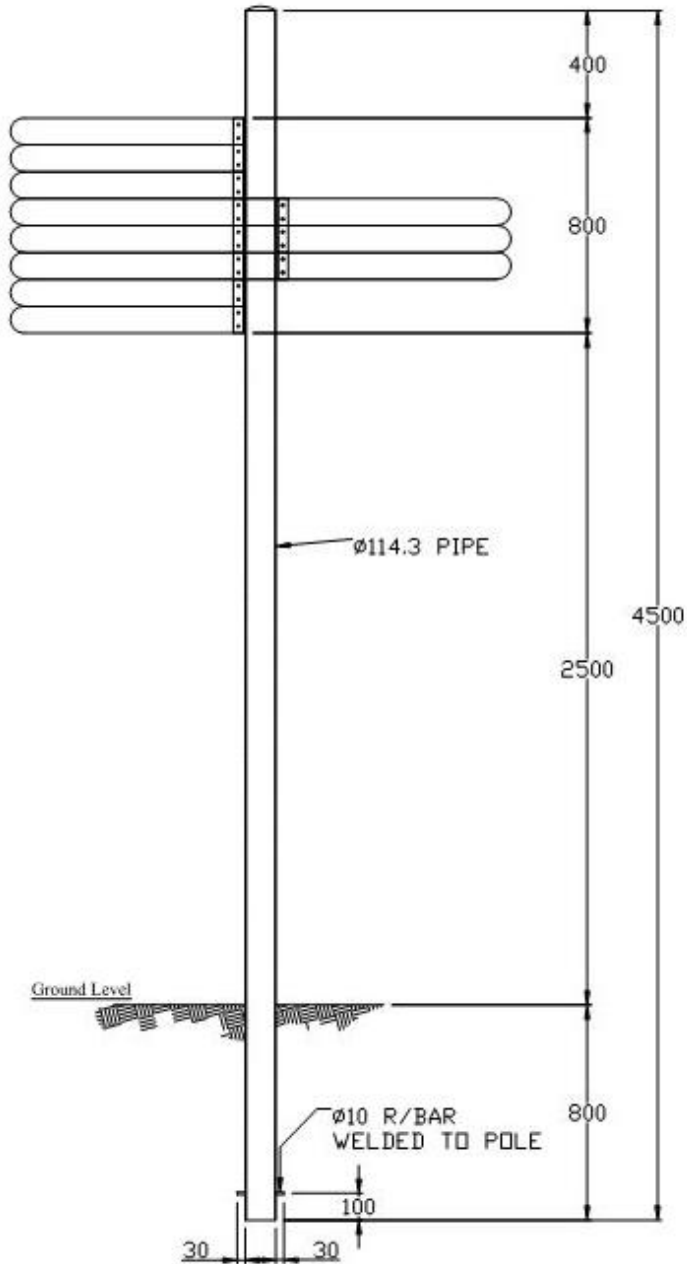
Customer Specific Products

IRT Removable Medium



Customer Specific Products

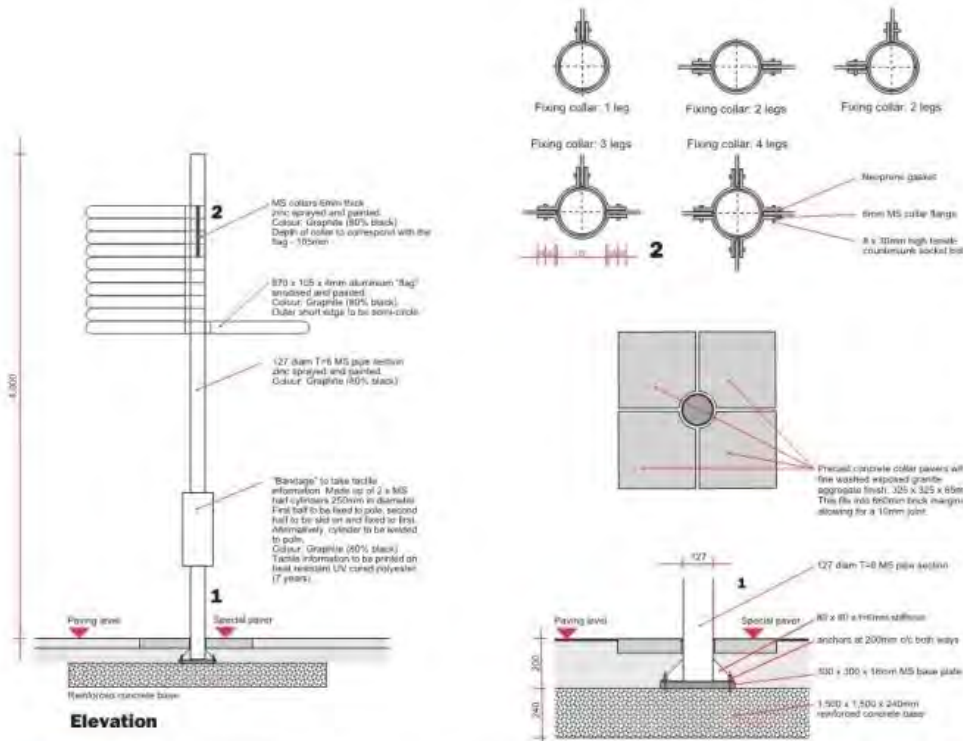
Greenpoint Signage



For sales enquiries email us at sales@ucworks.co.za

Customer Specific Products

Greenpoint Signage



Structural Revisions supplied by Henry Fagan and Partners:

- Basals to be 1,5m x 1,5m x 240mm thick SMPs concrete (refer to rebar details to be supplied directly by Fagan).
 - Base plates (6mm thick welder fil mount) 300 x 300 x 16, thickness 3000 x below, anchors at 200mm c/c both ways.
 - 4 M20 HDGw chemical anchors per base connection, with appropriate washers. Use heavy duty stainless nut/bolt (F5 V or Hs150) nut 180mm into concrete, as directed by manufacturer.
- Note 1**
All steelwork (above ground level) should have additional compatible (with galvanizing) corrosion protection and be suitably prepared, eg Animate. Concrete L10 or concrete inhibiting coating to 20mm above FSL.
- Note 2**
Use of stainless nuts is recommended below the base plate and high strength grade (S345mp 242) essential 30mm thick.

Total number of Sign Type B required: 11

Information about paver: quantities
4 pavers required per sign, 11 signs in total.

Total number of pavers required: 44

Important information:
Manufacturer may suggest alternative materials, test specifications, JQA, these must match those indicated here for quality, durability and aesthetics.

The structural integrity of the sign is the sole responsibility of the manufacturer. This includes site installation. All changes which are not visually part of this sign must be coordinated from public view and the sign is to be fully inspected.

Manufacturer in audit will check some before providing with production and obtain client approval as required. Manufacturer will be required to submit material samples for approval.



Sign System: **Construction: Type 6**
Green Point Common/Stadium Precinct

Phase One

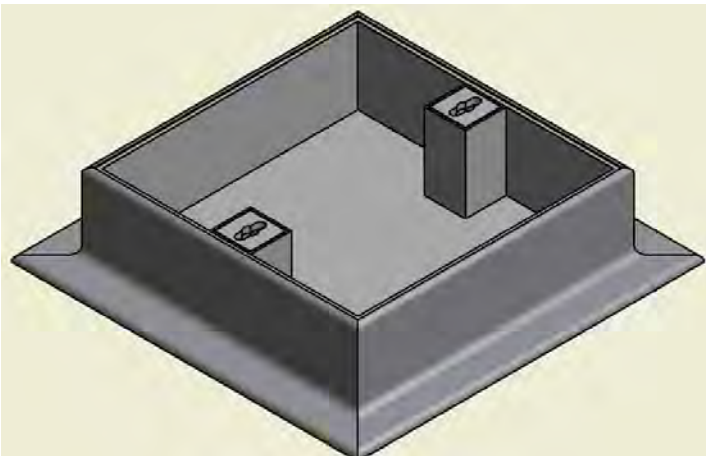
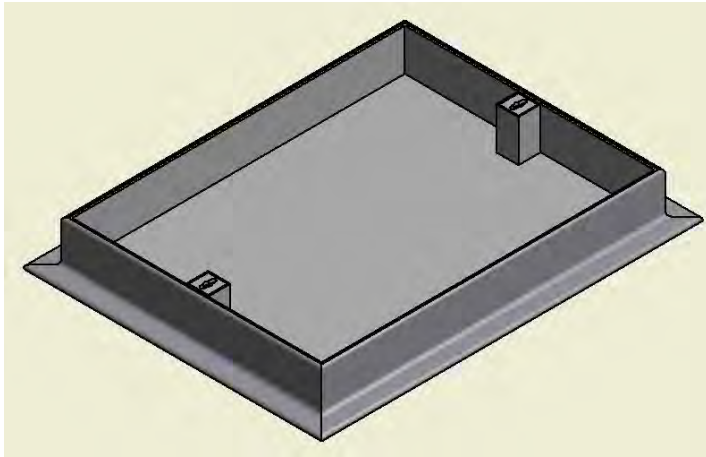
GPC/SP/Sign 039

March 2010

Revision B

Customer Specific Products

Manhole Covers

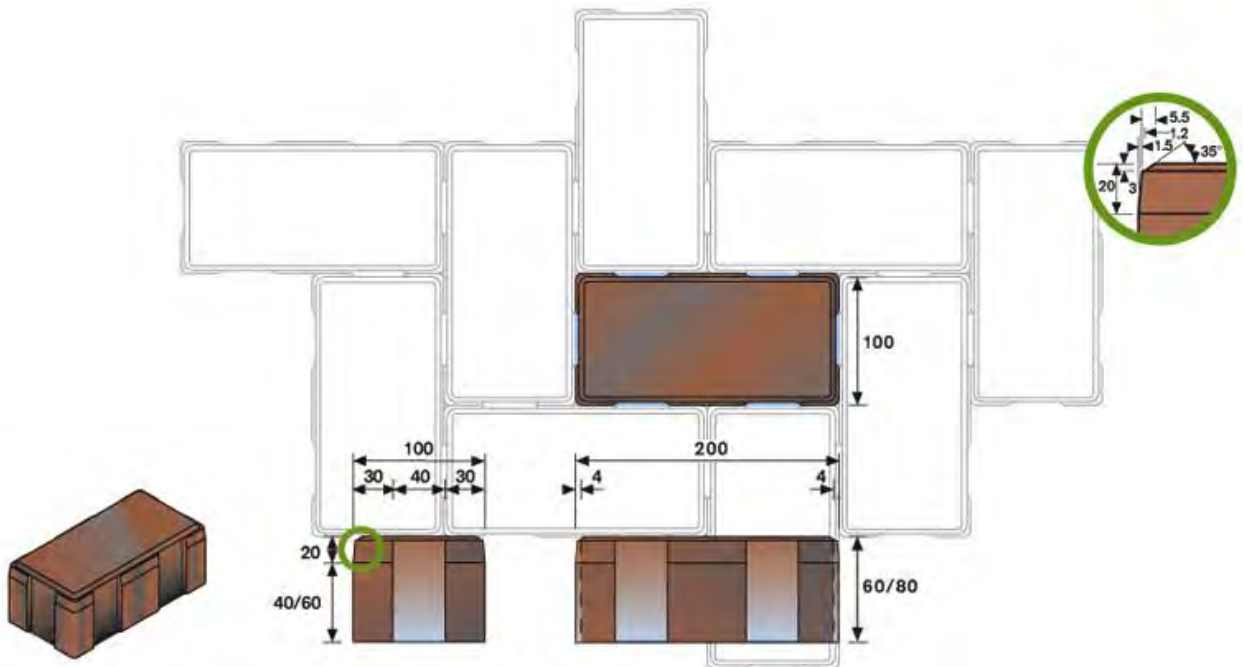


For sales enquiries email us at sales@ucworks.co.za

Paving Products

Permaflow Pavers, to be used with the full Permaflow specification

Permaflow Paver



Paving Products

Permaflow Pavers, to be used with the full Permaflow specification



Permaflow Bond 80 TMS Brown Cut-
Face Dimensions 200 x 100 x 80mm
50 Pavers per Square Meter
Abrasion Index \leq 12 gram
Strength 45Mpa
Weight 4.5kg



Permaflow Bond 80 Charcoal
Dimensions 200 x 100 x 80mm
50 Pavers per Square Meter
Abrasion Index \leq 12 gram
Strength 45Mpa
Weight 4.5kg



Permaflow Bond 80 Charcoal Cut
Face Dimensions 200 x 100 x 80mm
50 Pavers per Square Meter
Abrasion Index \leq 12 gram
Strength 45Mpa
Weight 4.5kg



Permaflow Bond 80 Terracotta
Dimensions 200 x 100 x 80mm
50 Pavers per Square Meter
Abrasion Index \leq 12 gram
Strength 45Mpa
Weight 4.5kg



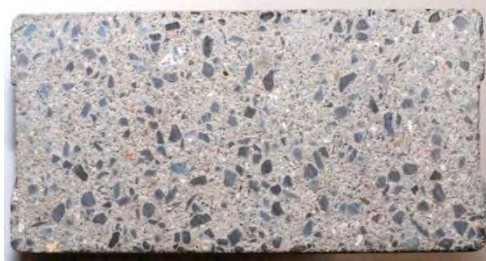
Permaflow Bond 80 Terracotta Cut
Face Dimensions 200 x 100 x 80mm
50 Pavers per Square Meter
Abrasion Index \leq 12 gram
Strength 45Mpa
Weight 4.5kg

Paving Products

Permaflow Pavers, to be used with the full Permaflow specification



Permaflow Bond 80 Grey
Dimensions 200 x 100 x 80mm
50 Pavers per Square Meter
Abrasion Index \leq 12 gram
Strength 45Mpa
Weight 4.5kg



Permaflow Bond 80 Grey Cut
Face Dimensions 200 x 100 x
80mm 50 Pavers per Square
Meter Abrasion Index \leq 12 gram
Strength 45Mpa
Weight 4.5kg



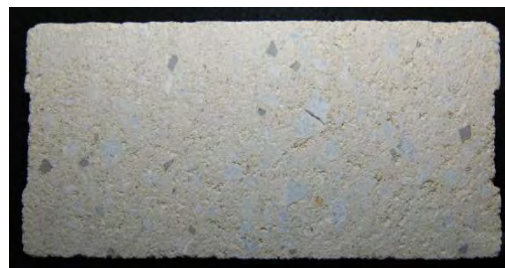
Permaflow Bond 80 Tan
Dimensions 200 x 100 x 80mm
50 Pavers per Square Meter
Abrasion Index \leq 12 gram
Strength 45Mpa
Weight 4.5kg



Permaflow Bond 80 Tan Cut
Face Dimensions 200 x 100 x
80mm 50 Pavers per Square
Meter Abrasion Index \leq 12 gram
Strength 45Mpa
Weight 4.5kg



Permaflow Bond 80 White
Dimensions 200 x 100 x 80mm
50 Pavers per Square Meter
Abrasion Index \leq 12 gram
Strength 45Mpa
Weight 4.5kg



Permaflow Bond 80 Ivory Cut
Face Dimensions 200 x 100 x
80mm 50 Pavers per Square
Meter Abrasion Index \leq 12 gram
Strength 45Mpa
Weight 4.5kg